

GENERATOR E40

Powerproduct

1964 / GENERATOR E40

Developed for use with Sony's micro-TV, this was Honda's first portable generator. Compact, lightweight, and quiet, the E40 was as easy to use as a household appliance. It was later mass-produced with enhanced output as the E80 and E100.

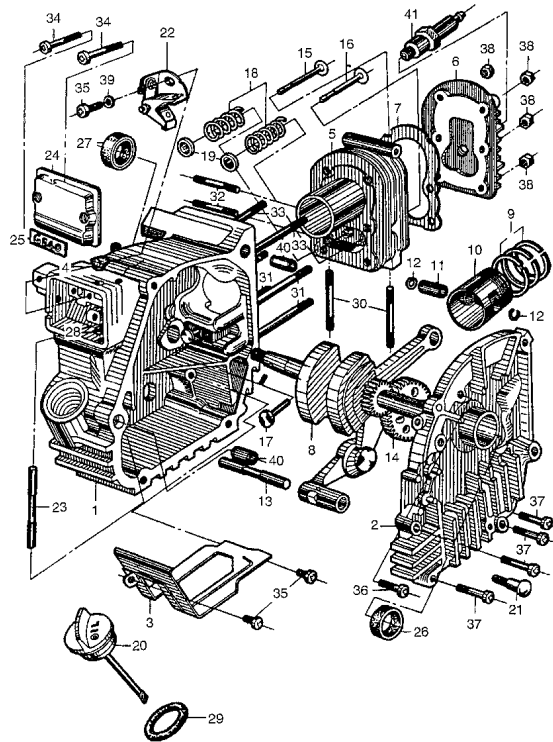


Engine Forced Air-Cooled 4-st. Single SV
Displacement 21.2cc
Net Weight 8kg
Other AC Output 100V+40VA (180Hz)



American Honda Motor Co., Inc.

Illustration: CYLINDER □ PISTON □ RINGS (E 01)
GENERATOR, E40



PROGRAMS AND DATA ARE THE PROPERTY OF AMERICAN HONDA MOTOR CO., INC.

Parts List

Ref.	Part Description	Mod.	Qty.	Part Number	Type	Origin
001	CRANKCASE	X	001	11100-800-010	A	JPN
002	COVER, CRANKCASE		001	11201-800-020	A	JPN
003	SEPARATOR, OIL		001	11751-800-000	A	JPN
004	CAP, SEALED		001	11921-800-010	A	JPN
005	CYLINDER	X	001	12101-800-030	A	JPN
006	CYLINDER HEAD	X	001	12201-800-010	A	JPN
007	GASKET, CYLINDER HEAD	D	001	12251-800-000	A	JPN
008	CRANKSHAFT ASSY.	X	001	13000-800-000	A	JPN
009	RING SET, PISTON	X	001	13011-800-303	A	JPN
010	PISTON (STD)	X	001	13102-800-313	A	JPN
010	PISTON (OS 0.50)	X	(1)	13103-800-313	A	JPN
010	PISTON (0.75)	X	(1)	13104-800-313	A	JPN
010	PISTON (1.00)	X	(1)	13105-800-313	A	JPN
011	PIN, PISTON	X	001	13111-800-000	A	JPN
012	CLIP, PISTON PIN		002	13115-800-000	A	JPN
013	SHAFT, BALANCER WEIGHT		001	13364-800-000	A	JPN
014	CAMSHAFT		001	14101-800-000	A	JPN
015	VALVE, IN.		001	14711-800-000	A	JPN
016	VALVE, EX.		001	14721-800-000	A	JPN
017	LIFTER, VALVE		002	14731-800-010	A	JPN

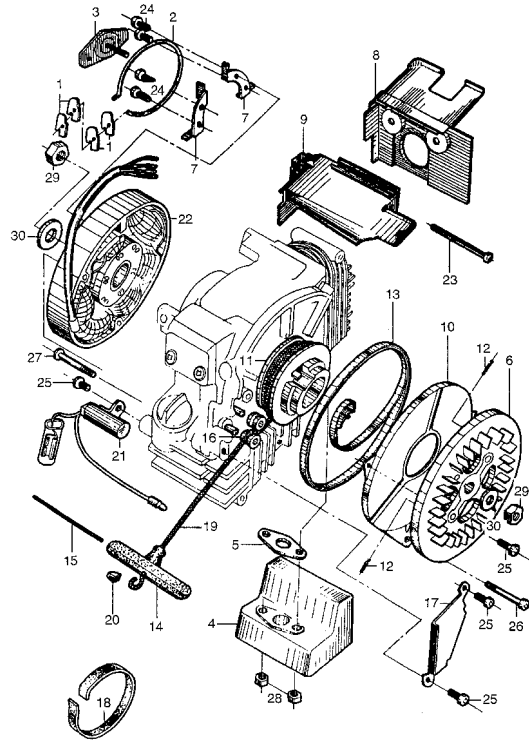
American Honda Motor Co., Inc.

Illustration: CYLINDER □ PISTON □ RINGS (E 01)
GENERATOR, E40

Ref.	Part Description	Mod.	Qty.	Part Number	Type	Origin
018	SPRING, VALVE		002	14751-800-000	A	JPN
019	RETAINER, VALVE SPRING		002	14771-800-000	A	JPN
020	CAP, OIL FILLER	X	001	15620-800-000	A	JPN
021	HOOK, STARTER SPRING		001	28457-800-000	A	JPN
022	POINTS	X	001	30200-814-000	A	JPN
023	ROD, POINT PUSH		001	30231-800-010	A	JPN
024	COVER, POINT	X	001	30371-801-000	A	JPN
025	MARK, POINTS COVER	X	001	87542-801-600	A	JPN
026	OIL SEAL	X	001	91201-800-000	A	JPN
027	OIL SEAL	X	001	91202-800-000	A	JPN
028	OIL SEAL (52X10X3)		001	91203-800-000	A	JPN
029	O-RING (16MM)		001	91303-800-000	A	JPN
029	O-RING (15.8X2.4) (SHOWA)		001	91304-MJ0-003	A	JPN
030	BOLT, STUD (5X48)	W	002	92700-05048-10	A	JPN
031	BOLT, STUD (5X58)	X	003	92700-05058	A	JPN
032	BOLT, STUD (5X24)		002	92710-05024-10	A	JPN
033	BOLT, STUD (5X63)		003	92715-05063	A	JPN
034	SCREW, PAN (4X28)	X	002	93500-04028-0A	A	JPN
035	SCREW, PAN (5X10)		003	93500-05010-0A	A	JPN
036	SCREW, PAN (5X25)	Z	001	93500-05025	A	JPN
036	SCREW, PAN (5X25)		001	93500-05025-0A	A	JPN
037	SCREW, PAN (5X32)		005	93500-05032-0A	A	JPN
038	NUT, HEX. (5MM)	M	006	94001-05000-0S	A	JPN
039	WASHER, PLAIN (5MM)		001	94101-05000	A	JPN
040	PIN A, DOWEL (8X12)		002	94301-08120	A	JPN
041	SPARK PLUG (CR40/C50)	M	001	98052-54740	A	JPN
041	SPARK PLUG (C50)		001	NGK-C50	A	JPN

American Honda Motor Co., Inc.

Illustration: STARTER □ ALTERNATOR (E 02)
GENERATOR, E40



PROGRAMS AND DATA ARE THE PROPERTY OF AMERICAN HONDA MOTOR CO., INC.

Parts List

Ref.	Part Description	Mod.	Qty.	Part Number	Type	Origin
001	WEIGHT, GOVERNOR	X	004	16511-800-000	A	JPN
002	RING, GOVERNOR WEIGHT		001	16515-800-000	A	JPN
003	SLIDER, GOVERNOR		001	16520-800-000	A	JPN
004	MUFFLER	X	001	18300-800-000	A	JPN
005	GASKET, MUFFLER	X	001	18351-800-000	A	JPN
006	FAN, COOLING	X	001	19510-801-000	A	JPN
007	FAN, GENERATOR		002	19531-800-010	A	JPN
008	VANE A, GUIDE		001	19611-814-000	A	JPN
009	VANE B, GUIDE	X	001	19621-801-000	A	JPN
010	CASE, SPRING	X	001	28411-800-020	A	JPN
011	PULLEY, STARTER	X	001	28420-800-010	A	JPN
012	SPRING, STARTER PAWL	X	002	28446-800-000	A	JPN
013	SPRING, STARTER RETURN	X	001	28451-800-010	A	JPN
014	GRIP, STARTER	X	001	28461-801-000	A	JPN
015	SHAFT (3MM)	X	001	28465-800-000	A	JPN
016	ROLLER, STARTER ROPE		002	28476-800-000	A	JPN
017	HOLDER, ROLLER		001	28478-800-000	A	JPN
018	SEAT, OIL		001	28480-800-000	A	JPN
019	ROPE, STARTER	D	001	28634-800-000	A	JPN
020	PIPE, JOINT		001	28635-800-000	A	JPN

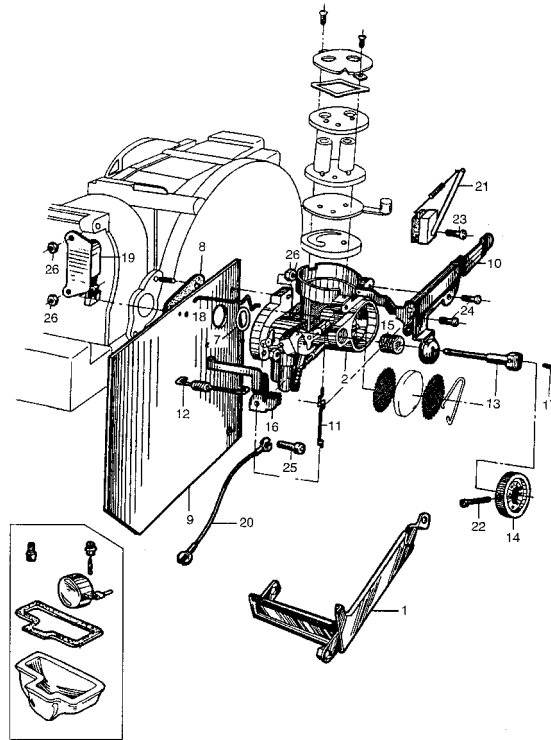
American Honda Motor Co., Inc.

Illustration: STARTER □ ALTERNATOR (E 02)
GENERATOR, E40

Ref.	Part Description	Mod.	Qty.	Part Number	Type	Origin
021	CONDENSER	X	001	30250-800-010	A	JPN
022	ALTERNATOR	X	001	31100-800-600	A	JPN
023	SCREW, TANK SETTING		001	90191-801-000	A	JPN
024	SCREW, PAN (5X6)		004	93500-05006-0A	A	JPN
025	SCREW, PAN (5X10)		004	93500-05010-0A	A	JPN
026	SCREW, PAN (5X32)		001	93500-05032-0A	A	JPN
027	SCREW, PAN (6X30)		003	93500-06030-0A	A	JPN
028	NUT, HEX. (5MM)	X	002	94001-05020	A	JPN
029	NUT, HEX. (8MM)		002	94030-08000	A	JPN
030	WASHER, PLAIN (8MM)		002	94101-08000	A	JPN

American Honda Motor Co., Inc.

Illustration: CARBURETOR (E 03)
GENERATOR, E40



PROGRAMS AND DATA ARE THE PROPERTY OF AMERICAN HONDA MOTOR CO., INC.

Parts List

Ref.	Part Description	Mod.	Qty.	Part Number	Type	Origin
001	PLATE, GUIDE		001	11751-801-000	A	JPN
002	CARBURETOR ASSY.	X	001	16100-801-000	A	JPN
003	FLOAT SET	D	001	16122-800-004	A	JPN
004	VALVE, FLOAT	D	001	16125-800-004	A	JPN
005	JET, MAIN	D	001	16132-800-004	A	JPN
006	WASHER, CHAMBER	D	001	16172-800-004	A	JPN
007	O-RING	D	001	16173-800-004	A	JPN
008	GASKET, CARBURETOR	D	001	16201-800-000	A	JPN
009	INSULATOR, CARBURETOR	X	001	16211-800-000	A	JPN
010	SHAFT, ARM		001	16530-800-010	A	JPN
011	ROD, GOVERNOR	X	001	16545-800-000	A	JPN
012	SPRING, GOVERNOR	X	001	16551-800-000	A	JPN
013	SHAFT, GOVERNOR		001	16560-801-020	A	JPN
014	GOVERNOR (OUTER)	X	001	16561-801-020	A	JPN
015	SCREW, GOVERNOR CONTROL		001	16565-800-000	A	JPN
016	LEVER, GOVERNOR SPRING		001	16571-800-000	A	JPN
017	ADJUSTER, GOVERNOR	X	001	16575-800-000	A	JPN
018	ROD, CHOKE LEVER	X	001	16625-800-000	A	JPN
019	CHOKE, AUTO	X	001	16650-800-000	A	JPN
020	WIRE, GROUND		001	30611-801-000	A	JPN

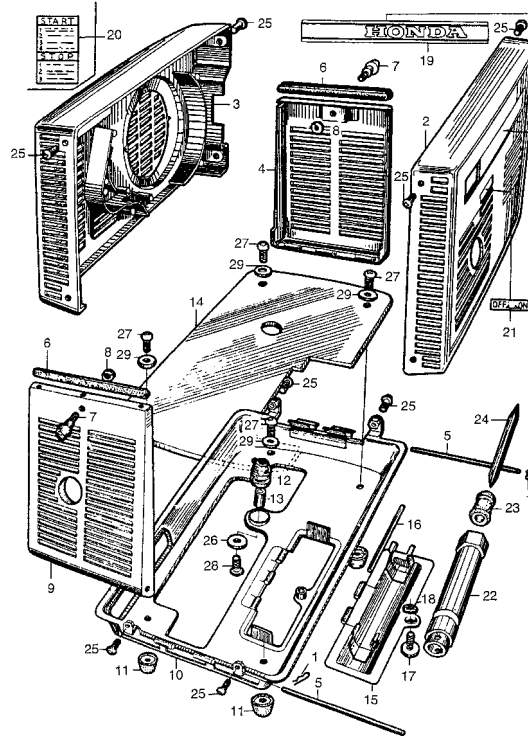
American Honda Motor Co., Inc.

Illustration: CARBURETOR (E 03)
GENERATOR, E40

Ref.	Part Description	Mod.	Qty.	Part Number	Type	Origin
021	SWITCH, ENGINE	X	001	37500-800-000	A	JPN
022	SCREW, STOP (3MM)		001	90192-801-010	A	JPN
023	SCREW, PAN (3X6)	X	001	93500-03006-0B	A	JPN
024	SCREW, PAN (4X6)		002	93500-04006-0A	A	JPN
025	SCREW, PAN (5X6)		001	93500-05006-0A	A	JPN
026	NUT, HEX. (5MM)	M	004	94001-05000-0S	A	JPN

American Honda Motor Co., Inc.

Illustration: COVER □ TOOLS (E 04)
GENERATOR, E40



PROGRAMS AND DATA ARE THE PROPERTY OF AMERICAN HONDA MOTOR CO., INC.

Parts List

Ref.	Part Description	Mod.	Qty.	Part Number	Type	Origin
001	PIN, SNAP (3MM)		002	17669-800-000	A	JPN
002	COVER A, SIDE	X	001	63311-801-000	A	JPN
003	COVER B, SIDE		001	63410-801-000	A	JPN
004	PLATE A, SIDE *NH2M* (METALLIC SILVER)		001	63511-801-010T	A	JPN
005	SHAFT, SIDE PLATE HINGE	X	002	63551-801-000	A	JPN
006	RUBBER, TANK SEAL	X	002	63571-801-010	A	JPN
007	LATCH, SIDE PLATE		002	63581-801-000	A	JPN
008	STOPPER, LATCH	X	002	63588-801-000	A	JPN
009	PLATE B, SIDE		001	63611-801-010	A	JPN
010	PLATE (LOWER)		001	63710-801-000	A	JPN
011	RUBBER (LOWER)	X	004	63770-801-000	A	JPN
012	RUBBER, PLATE SETTING (LOWER)		001	63772-801-000	A	JPN
013	COLLAR, PLATE SETTING (LOWER)	X	001	63773-801-000	A	JPN
014	PLATE, SEPARATE		001	63811-801-000	A	JPN
015	COVER, TOOL		001	83111-814-000	A	JPN
016	SHAFT, TOOL COVER		001	83141-801-000	A	JPN
017	BOLT, TOOL COVER HINGE		001	83142-801-000	A	JPN
018	O-RING (3.6X1.4)	X	001	91301-MC0-000	A	JPN
019	MARK, TOP	X	001	87101-801-000	A	JPN

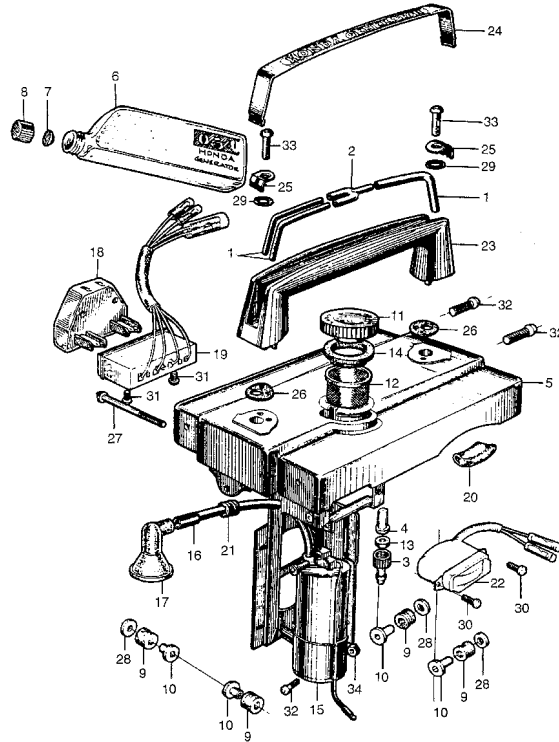
American Honda Motor Co., Inc.

Illustration: COVER □ TOOLS (E 04)
GENERATOR, E40

Ref.	Part Description	Mod.	Qty.	Part Number	Type	Origin
020	PLATE, CAUTION		001	87521-801-600	A	JPN
021	MARK, VALVE LEVER	X	001	87401-801-000	A	JPN
022	WRENCH, PLUG	D	001	89216-800-000	A	JPN
023	RUBBER, FRICTION		001	89218-800-000	A	JPN
024	SCREWDRIVER	X	001	89221-800-000	A	JPN
025	SCREW, SIDE COVER SETTING	X	008	90193-801-000	A	JPN
026	WASHER, TANK STAY LOCK		001	90531-801-000	A	JPN
027	SCREW, PAN (4X8)		004	93500-04008-0A	A	JPN
028	SCREW, PAN (5X25)	Z	001	93500-05025	A	JPN
028	SCREW, PAN (5X25)		001	93500-05025-0A	A	JPN
029	WASHER, PLAIN (4MM)		004	94101-04000	A	JPN

American Honda Motor Co., Inc.

Illustration: FUEL TANK □ IGNITION COIL (E 05)
GENERATOR, E40



PROGRAMS AND DATA ARE THE PROPERTY OF AMERICAN HONDA MOTOR CO., INC.

Parts List

Ref.	Part Description	Mod.	Qty.	Part Number	Type	Origin
001	TUBE, BREATHER		003	15761-801-000	A	JPN
002	TUBE, BREATHER		001	15766-801-000	A	JPN
003	BODY, STRAINER	X	001	16911-800-010	A	JPN
004	ELEMENT	S	001	16912-800-010	A	JPN
004	FILTER, CHECK	X	001	16981-836-700	A	JPN
005	TANK, FUEL *NH2M* (METALLIC SILVER)	X	001	17500-801-030T	A	JPN
006	TANK, OIL		001	17570-921-000	A	JPN
007	INNER CAP, FUEL TANK	W	001	17551-800-000	A	JPN
008	CAP, SUB-TANK		001	17573-801-810	A	JPN
009	DAMPER, TANK STAY	X	004	17621-801-000	A	JPN
010	COLLAR, TANK DISTANCE	X	004	17641-801-000	A	JPN
011	CAP, TANK	X	001	17650-801-020	A	JPN
012	FILTER, FUEL	X	001	17672-801-010	A	JPN
013	GASKET, ELEMENT SEALED	X	001	17673-800-000	A	JPN
014	RUBBER, FILTER	X	001	17673-836-000	A	JPN
015	COIL, A.C. IGNITION	S	001	30500-800-000	A	JPN
015	COIL, A.C. IGNITION	X	001	30500-814-000	A	JPN
016	TERMINAL, IGNITION	X	001	30600-800-010	A	JPN
017	CAP, IGNITION TERMINAL	X	001	30611-800-010	A	JPN

American Honda Motor Co., Inc.

Illustration: FUEL TANK □ IGNITION COIL (E 05)
GENERATOR, E40

Ref.	Part Description	Mod.	Qty.	Part Number	Type	Origin
018	ADAPTER (250V 10A)	X	001	32320-801-810	A	JPN
019	RECEPTACLE ASSY., DOUBLE	X	001	32330-801-000	A	JPN
020	COVER, BINDER		001	32941-800-000	A	JPN
021	GROMMET, WIRE		001	32956-800-000	A	JPN
022	VOLTMETER (117V)	X	001	37450-801-670	A	JPN
023	GRIP		001	68110-801-020	A	JPN
024	COVER, GRIP	X	001	68121-801-000	A	JPN
025	HOOK, GRIP COVER		002	68125-801-000	A	JPN
026	GASKET, GRIP		002	68142-801-000	A	JPN
027	SCREW, TANK SETTING		001	90191-801-000	A	JPN
028	WASHER, TANK STAY LOCK		004	90531-801-000	A	JPN
029	O-RING (5X1.5)	X	002	91301-801-000	A	JPN
030	SCREW, PAN (3X6)	X	002	93500-03006-0B	A	JPN
031	SCREW, PAN (3X14)	X	002	93500-03014	A	JPN
032	SCREW, PAN (5X18)		004	93500-05018-0A	A	JPN
033	SCREW, PAN (6X18)		002	93500-06018-0A	A	JPN
034	NUT, HEX. (5MM)	M	001	94001-05000-0S	A	JPN