

HONDA

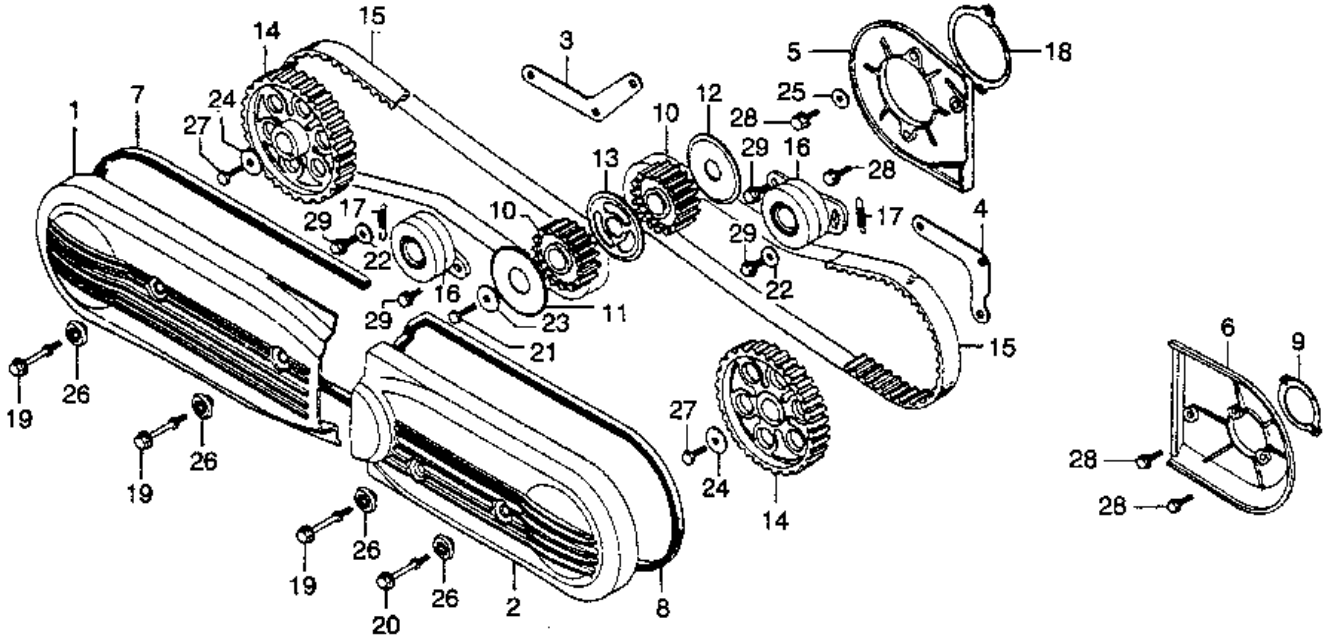
1978 GL1000 GOLDWING

Parts Catalog

Index

Page	Description
3	Front Cover – Timing Belt
5	Cylinder Head Cover
6	Cylinder Head
8	Camshaft – Valves
10	Fuel Pump
12	Thermostat - Housing
14	Points
16	Oil Filter – Water Pump Cover
18	Transmission Cover – Water Pump
20	Oil Pump
22	Clutch cover
24	Clutch
26	Final Gearshaft
27	Rear Case
29	Starter Motor
30	Alternator
31	Alternator Shaft
32	Cylinder Block
34	Piston
36	Crankshaft
38	Transmission
40	Shift Drum
42	Carburetor
44	Carburetor Components 1
46	Carburetor Components 2
47	Radiator
49	Radiator Fan
51	Headlight
53	Speedometer – Tachometer
55	Handle Lever – Switch
57	Handle Bar – Key Switch
59	Steering Stem
60	Front Master Cylinder
62	Front Fender
63	Front Fork
65	Front Brake Caliper
67	Front Wheel
69	Rear Master Cylinder
71	Rear Brake Caliper
73	Rear Wheel
75	Final Driven Gear
77	Fuel Meter – Temperature Meter
79	Top Shelter
80	Side Shelter
82	Shelter Frame
84	Seat
85	Fuel Tank
87	Air Cleaner – Side Cover
89	Muffler
91	Change Pedal – Brake Pedal
93	Step
95	Swing Arm – Propeller Shaft
96	Rear Shock Absorber
98	Rear Fender
99	Turn Signal
101	Tail Light
103	Battery
105	Ignition coil
107	Wire Harness
109	Frame
111	Tools

Illustration: FRONT COVER □ TIMING BELT (E 01)
MOTORCYCLE, GOLD WING, GL1000, 1978



PROGRAMS AND DATA ARE THE PROPERTY OF AMERICAN HONDA MOTOR CO., INC.

Parts List

Ref.	Part Description	M...	Qty.	Part Number	Area	Origin	Label
001	COVER, R. FR.	X	001	11511-371-010	A	JPN	
002	COVER, L. FR.		001	11521-371-010	A	JPN	
003	PLATE B, TIMING BELT ADJUSTING	X	001	11531-431-000	A	JPN	
004	PLATE A, TIMING BELT ADJUSTING	X	001	11535-431-000	A	JPN	
005	COVER, R. CYLINDER HEAD	X	001	11541-371-000	A	JPN	
006	COVER, L. CYLINDER HEAD	X	001	11542-371-000	A	JPN	
007	GASKET, R. FR. COVER		001	11831-371-010	A	JPN	
008	GASKET, L. FR. COVER		001	11832-371-010	A	JPN	
009	GASKET, FUEL PUMP COVER	D	001	12391-371-000	A	JPN	
009	GASKET, CYLINDER HEAD COVER		001	12391-371-306	A	JPN	
010	PULLEY, TIMING BELT DRIVE	X	002	13621-657-000	A	JPN	
011	PLATE, TIMING BELT GUIDE	X	001	13622-371-000	A	JPN	
012	PLATE A, TIMING BELT GUIDE	X	001	13622-657-000	A	JPN	
013	PLATE B, TIMING BELT GUIDE	X	001	13623-371-000	A	JPN	
014	PULLEY, TIMING BELT DRIVEN	S	002	14211-657-010	A	JPN	
014	PULLEY, TIMING BELT DRIVEN	S	002	14211-PB2-000	A	JPN	
014	PULLEY, TIMING BELT DRIVEN	S	002	14211-PB2-003	A	JPN	
014	PULLEY, TIMING BELT DRIVEN	Z	002	14211-PC1-000	A	JPN	
015	BELT, TIMING (MITSUBOSHI)	S	002	14400-679-003	A	JPN	
015	BELT, TIMING (UNITTA)	S	002	14400-679-004	A	JPN	
015	BELT, TIMING (MITSUBOSHI)	S	002	14400-679-014	A	JPN	
015	BELT, TIMING (MITSUBOSHI)		002	14400-679-014X	A	JPN	
016	ADJUSTER, TIMING BELT (TOYO)		002	14510-371-008	A	JPN	

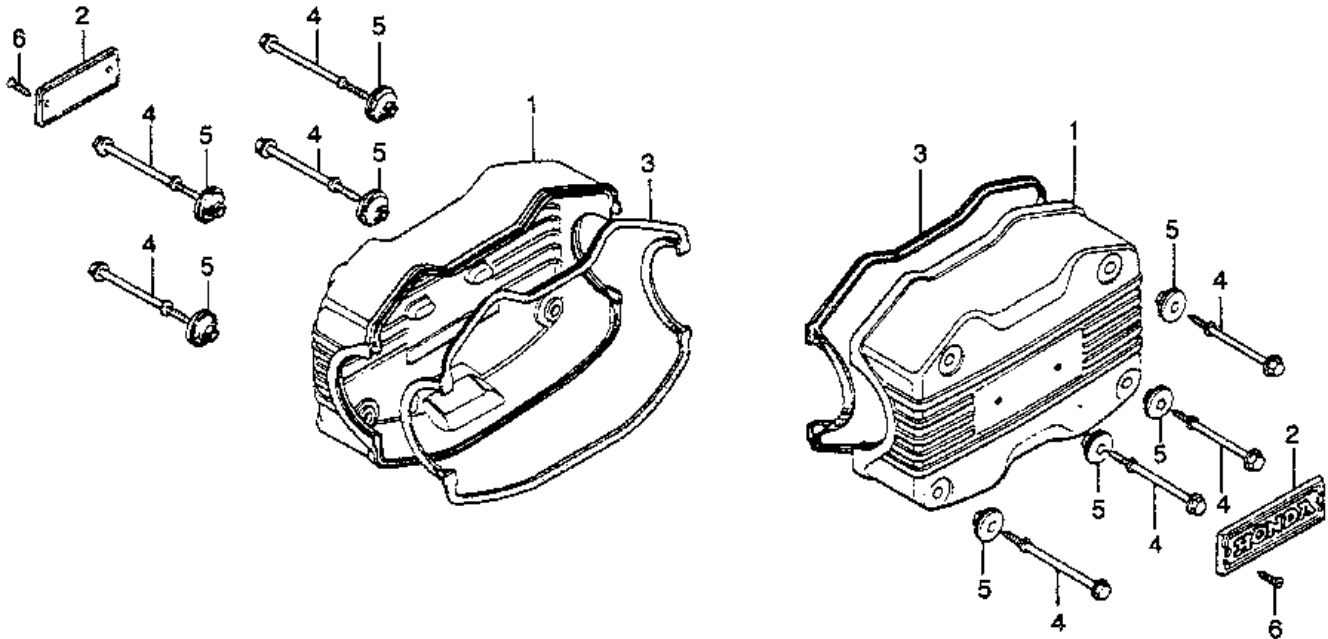
American Honda Motor Co., Inc.

Illustration: FRONT COVER □ TIMING BELT (E 01)
 MOTORCYCLE, GOLD WING, GL1000, 1978

Ref.	Part Description	M...	Qty.	Part Number	Area	Origin	Label
017	SPRING, TIMING BELT ADJUSTER		002	14516-371-000	A	JPN	
018	GASKET, POINTS	D	001	30376-371-000	A	JPN	
018	GASKET, BREAKER		001	30376-371-306	A	JPN	
019	BOLT, SPECIAL (6X45.5)		003	90016-415-000	A	JPN	
019	BOLT, SPECIAL (6X45.5)	S	003	90017-371-000	A	JPN	
019	BOLT, SPECIAL (6X45.5)	S	003	90017-371-010	A	JPN	
020	BOLT, SPECIAL (6X54)		001	90019-371-000	A	JPN	
021	BOLT, PULLEY (10X28)	W	001	90021-371-000	A	JPN	
022	WASHER (8MM)		002	90406-371-000	A	JPN	
023	WASHER, SPECIAL (34X10.5X4.0)		001	90414-611-000	A	JPN	
024	WASHER, SPECIAL (28X8.5X4.0)		002	90435-611-000	A	JPN	
025	WASHER, SEALING (6MM)		001	90441-028-010	A	JPN	
026	RUBBER, SETTING		004	90541-371-000	A	JPN	
027	BOLT, HEX. (8X22)	S	002	92000-08022-0A	A	JPN	
027	BOLT, HEX. (8X22)		002	92101-08022-0A	A	JPN	
028	BOLT, FLANGE (6X18)	M	004	95700-06018-00	A	JPN	
028	BOLT, FLANGE (6X18)		004	95701-06018-00	A	JPN	
029	BOLT, FLANGE (8X22)	S	004	95700-08022-00	A	JPN	
029	BOLT, FLANGE (8X22)		004	95701-08022-00	A	JPN	

American Honda Motor Co., Inc.

Illustration: CYLINDER HEAD COVER (E 02)
MOTORCYCLE, GOLD WING, GL1000, 1978



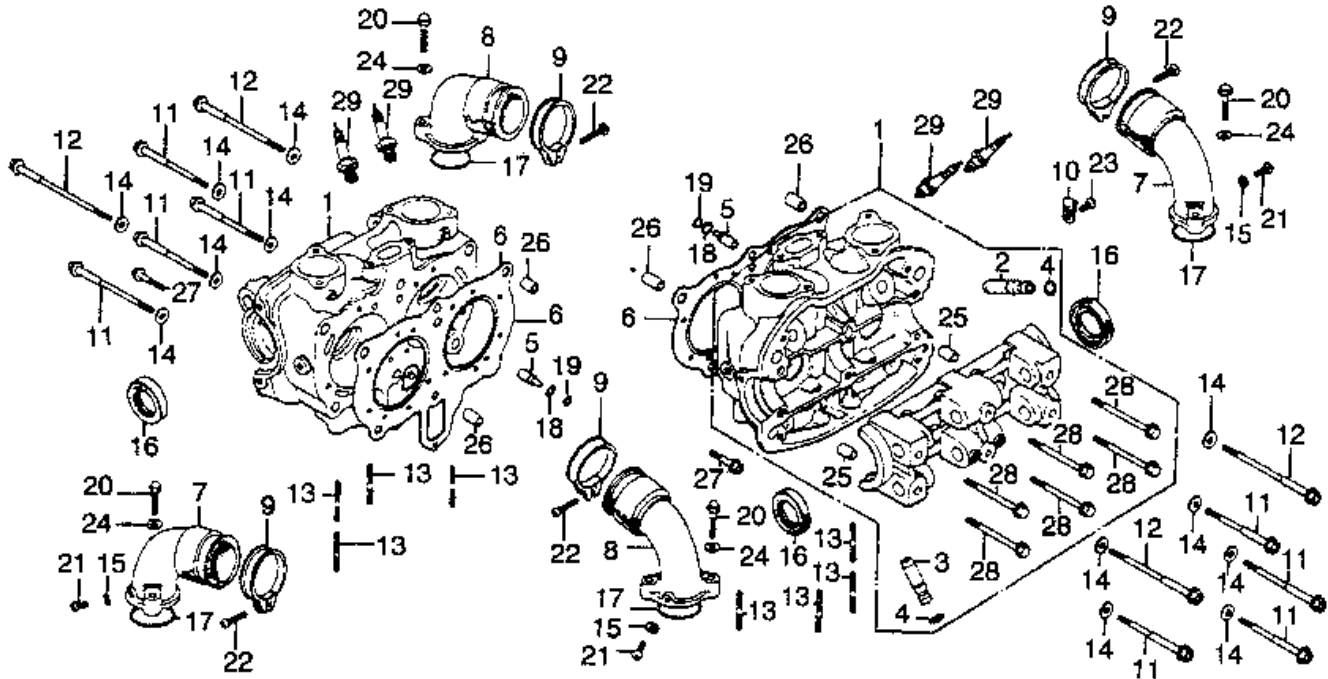
PROGRAMS AND DATA ARE THE PROPERTY OF AMERICAN HONDA MOTOR CO., INC.

Parts List

Ref.	Part Description	M...	Qty.	Part Number	Area	Origin	Label
001	COVER, CYLINDER HEAD	X	002	12311-371-010	A	JPN	
002	EMBLEM, HEAD COVER	X	002	12312-371-611	A	JPN	
003	GASKET, HEAD COVER		002	12328-371-000	A	JPN	
004	BOLT, SPECIAL (6X63.2)	S	008	90018-371-000	A	JPN	
004	BOLT, SPECIAL (6X63.2)		008	90018-679-000	A	JPN	
005	RUBBER, SETTING		008	90541-371-000	A	JPN	
006	SCREW, OVAL (3X8)	W	004	93700-03008-0G	A	JPN	
006	SCREW, OVAL (3X8)	S	004	93700-03008-1G	A	JPN	

American Honda Motor Co., Inc.

Illustration: CYLINDER HEAD (E 03)
MOTORCYCLE, GOLD WING, GL1000, 1978



PROGRAMS AND DATA ARE THE PROPERTY OF AMERICAN HONDA MOTOR CO., INC.

Parts List

Ref.	Part Description	M...	Qty.	Part Number	Area	Origin	Label
001	CYLINDER HEAD	X	002	12200-371-010	A	JPN	
002	GUIDE, VALVE	M	004	12204-371-305	A	JPN	
003	GUIDE, VALVE	M	004	12204-371-305	A	JPN	
003	GUIDE, EX. VALVE	S	004	12205-371-305	A	JPN	
004	CLIP, VALVE GUIDE		008	12211-250-310	A	JPN	
005	ORIFICE, OIL CONTROL		002	12238-371-000	A	JPN	
006	GASKET, CYLINDER HEAD	D	002	12251-371-003	A	JPN	
006	GASKET, CYLINDER HEAD	M	002	12251-371-306	A	JPN	
007	MANIFOLD A, IN.	S	002	17110-431-000	A	JPN	
				-4019000			
007	MANIFOLD A, IN.	X	002	17110-431-010	A	JPN	
				4050002-			
007	MANIFOLD A, IN.	X	002	17110-431-010	A	JPN	
				-4019000			
008	MANIFOLD B, IN.	S	002	17120-431-000	A	JPN	
				-4019000			
008	MANIFOLD B, IN.	X	002	17120-431-010	A	JPN	
				4050002-			
008	MANIFOLD B, IN.	X	002	17120-431-010	A	JPN	
				-4019000			
009	BAND, IN. MANIFOLD	Z	004	17255-371-000	A	JPN	
009	BAND, AIR CLEANER CONNECTING		004	95018-54250	A	JPN	
010	CLAMP, CABLE		001	32111-323-000	A	JPN	

American Honda Motor Co., Inc.

Illustration: CYLINDER HEAD (E 03)
MOTORCYCLE, GOLD WING, GL1000, 1978

Ref.	Part Description	M...	Qty.	Part Number	Area	Origin	Label
011	BOLT, FLANGE (10X90)	S	008	90001-371-003	A	JPN	
011	BOLT, FLANGE (10X90)		008	90001-371-013	A	JPN	
012	BOLT, FLANGE (10X115)	S	004	90002-371-003	A	JPN	
012	BOLT, FLANGE (10X115)		004	90002-371-013	A	JPN	
013	BOLT, STUD (8X43)		008	90035-371-000	A	JPN	
014	WASHER (21X11X2.3)		012	90438-634-000	A	JPN	
015	WASHER, SEALING (5MM)		004	90452-323-000	A	JPN	
016	OIL SEAL (27X43X9)		003	91209-371-003	A	JPN	
017	O-RING (40X2.6)	M	004	91301-371-005	A	JPN	
018	O-RING (6.5X1.5)		002	91305-371-003	A	JPN	
019	O-RING (4.1X1.5)		002	91308-371-003	A	JPN	
020	BOLT, CAP (6X32)		008	92500-06032-0B	A	JPN	
021	SCREW, PAN (5X8)		004	93500-05008-0A	A	JPN	
022	SCREW, PAN (5X20)		004	93500-05020-0G	A	JPN	
023	SCREW, PAN (6X8)	S	001	90053-371-980	A	JPN	
023	SCREW, PAN (6X8)	Z	001	93500-06008	A	JPN	
023	SCREW, PAN (6X8)	Z	001	93500-06008-0A	A	JPN	
023	SCREW, PAN (6X8)		001	93500-06008-0H	A	JPN	
023	SCREW, PAN (6X8)	S	001	93500-06008-1H	A	JPN	
024	WASHER, PLAIN (6MM)	S	008	94101-06000	A	JPN	
024	WASHER, PLAIN (6MM)	S	008	94101-06080	A	JPN	
024	WASHER, PLAIN (6MM)		008	94101-06800	A	JPN	
025	PIN A, DOWEL (10X16)		004	94301-10160	A	JPN	
026	PIN A, DOWEL (12X20)		004	94301-12200	A	JPN	
027	BOLT, FLANGE (6X28)	Z	002	95700-06028-00	A	JPN	
027	BOLT, FLANGE (6X28)		002	95701-06028-00	A	JPN	
028	BOLT, FLANGE (8X70)	S	012	95700-08070-00	A	JPN	
028	BOLT, FLANGE (8X70)		012	95701-08070-00	A	JPN	
029	SPARK PLUG (D8EA) (NGK)		004	98069-58717	A	JPN	
029	SPARK PLUG (X24ES-U) (DENSO)		004	98069-58727	A	JPN	

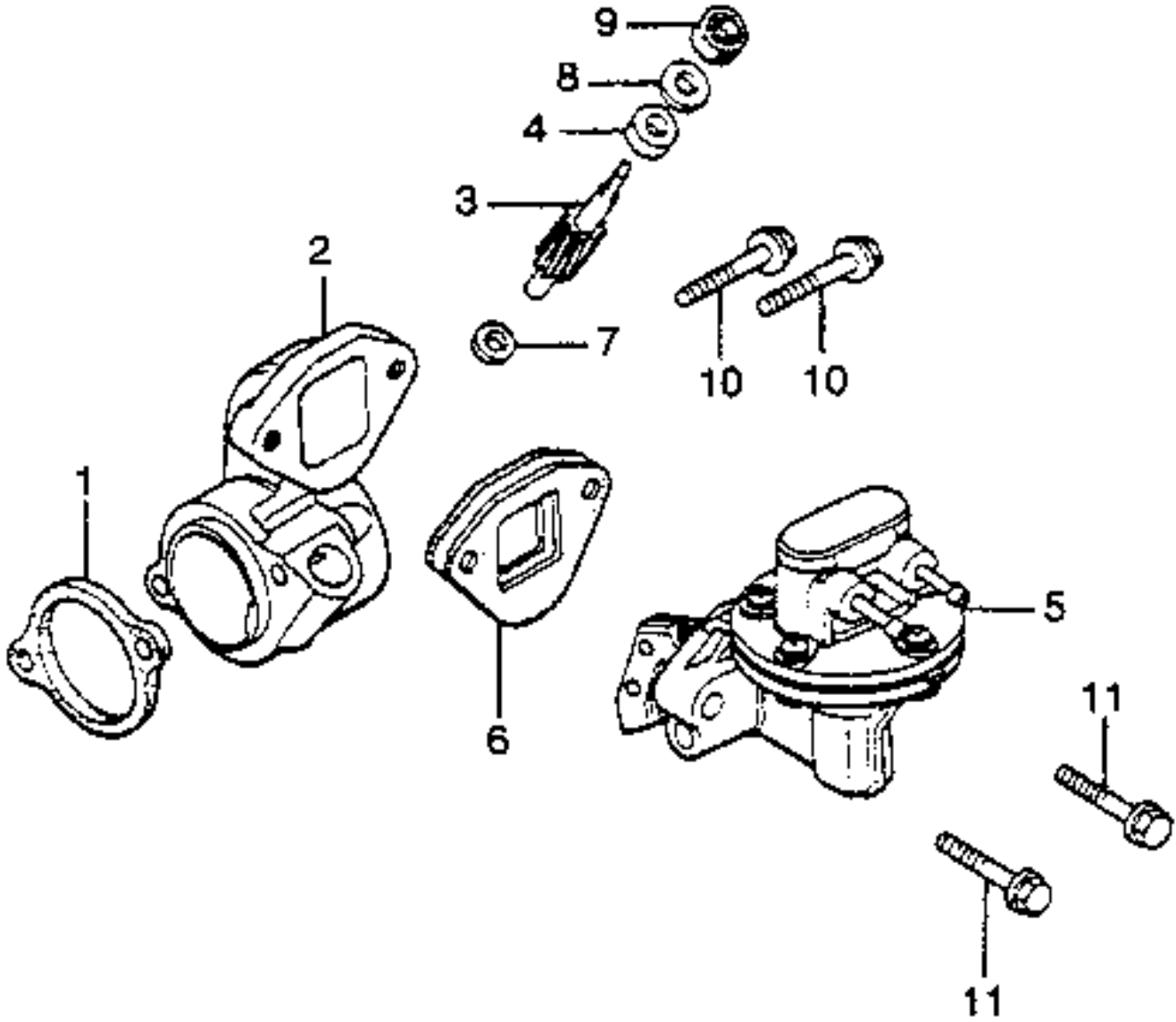
American Honda Motor Co., Inc.

Illustration: CAMSHAFT □ VALVE (E 04)
MOTORCYCLE, GOLD WING, GL1000, 1978

Ref.	Part Description	M...	Qty.	Part Number	Area	Origin	Label
016	NUT, TAPPET ADJ.	S	008	90205-300-000	A	JPN	
016	NUT, TAPPET ADJ.		008	90206-250-000	A	JPN	
017	PIN, KNOCK (3X6.8)	X	001	90701-283-000	A	JPN	
018	KEY, WOODRUFF (25X14)		002	94401-25140	A	JPN	

American Honda Motor Co., Inc.

Illustration: FUEL PUMP (E 05)
MOTORCYCLE, GOLD WING, GL1000, 1978



PROGRAMS AND DATA ARE THE PROPERTY OF AMERICAN HONDA MOTOR CO., INC.

Parts List

Ref.	Part Description	M...	Qty.	Part Number	Area	Origin	Label
001	INSULATOR, TACHOMETER COVER	D	001	12390-371-000	A	JPN	
001	INSULATOR, TACHOMETER COVER	D	001	12390-371-010	A	JPN	
001	INSULATOR, COVER		001	12390-371-405	A	JPN	
002	COVER, FUEL PUMP	X	001	12411-371-000	A	JPN	
003	GEAR, TACHOMETER	X	001	12431-371-000	A	JPN	
004	COLLAR, TACHOMETER GEAR	X	001	12435-246-000	A	JPN	
005	PUMP ASSY., FUEL	S	001	16700-371-004	A	JPN	

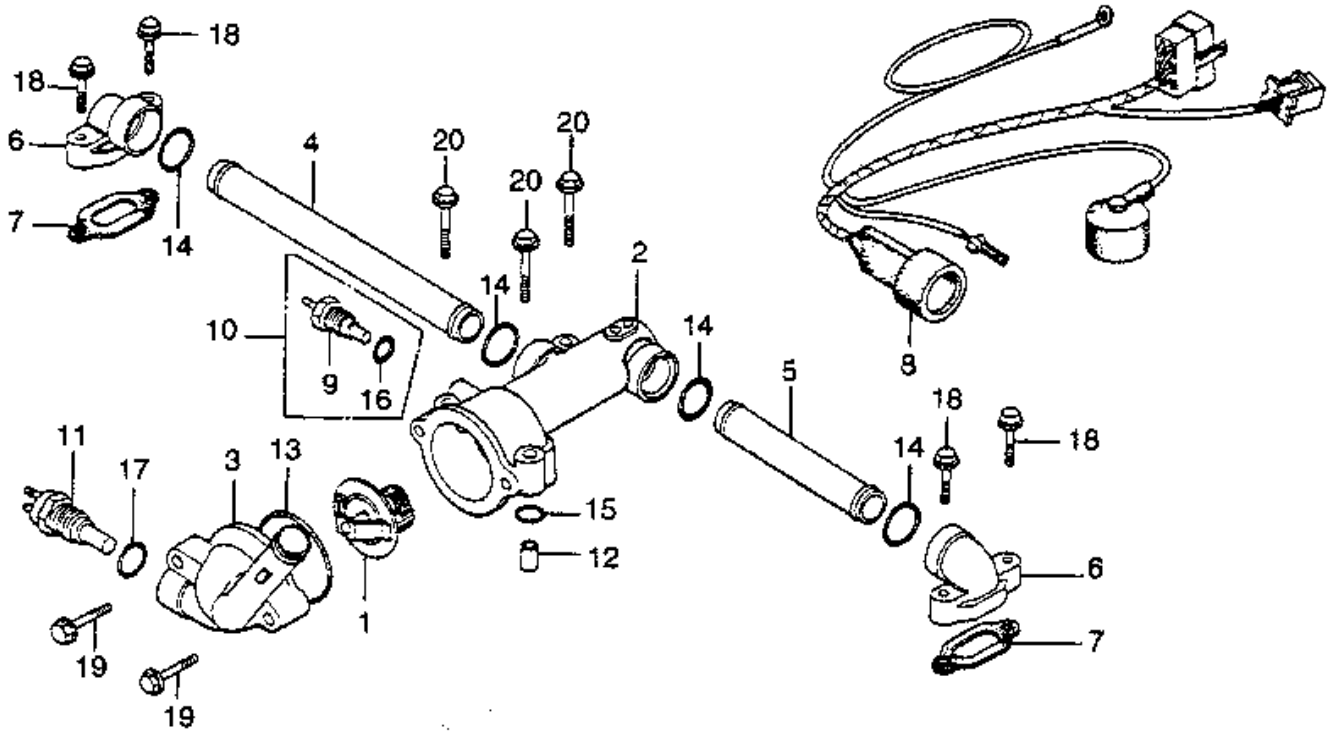
American Honda Motor Co., Inc.

Illustration: FUEL PUMP (E 05)
MOTORCYCLE, GOLD WING, GL1000, 1978

Ref.	Part Description	M...	Qty.	Part Number	Area	Origin	Label
005	PUMP ASSY., FUEL (KISAN)		001	16700-371-014	A	JPN	
006	INSULATOR, FUEL PUMP		001	16701-634-000	A	JPN	
007	WASHER, TACHOMETER GEAR		001	90458-286-000	A	JPN	
008	WASHER, SPEEDOMETER PINION		001	90539-011-000	A	JPN	
009	OIL SEAL (4.8X14.5X4)	S	001	91211-286-003	A	JPN	
009	OIL SEAL (4.8X14.5X4)		001	91256-096-651	A	JPN	
010	BOLT, FLANGE (6X40)	S	002	95700-06040-00	A	JPN	
010	BOLT, FLANGE (6X40)		002	95701-06040-00	A	JPN	
011	BOLT, FLANGE (8X32)	S	002	95700-08032-00	A	JPN	
011	BOLT, FLANGE (8X32)		002	95701-08032-00	A	JPN	

American Honda Motor Co., Inc.

Illustration: THERMOSTAT (E 06)
MOTORCYCLE, GOLD WING, GL1000, 1978



PROGRAMS AND DATA ARE THE PROPERTY OF AMERICAN HONDA MOTOR CO., INC.

Parts List

Ref.	Part Description	M...	Qty.	Part Number	Area	Origin	Label
001	THERMOSTAT UNIT	Z	001	19300-657-003	A	JPN	
002	CASE, THERMOSTAT	X	001	19311-371-000	A	JPN	
003	COVER, THERMOSTAT		001	19315-371-000	A	JPN	
004	PIPE, R. CONNECTING	S	001	19411-371-000	A	JPN	
005	PIPE, L. CONNECTING	S	001	19412-371-000	A	JPN	
005	PIPE, L. CONNECTING		001	19412-371-980	A	JPN	
006	JOINT, WATER	X	002	19421-371-000	A	JPN	
007	GASKET, WATER JOINT	D	002	19429-371-000	A	JPN	
007	GASKET, WATER JOINT	M	002	19429-371-306	A	JPN	
008	SUB-WIRE HARNESS, ENGINE	X	001	32220-431-000	A	JPN	
009	SENDING UNIT, WATER	S	001	37510-371-008	A	JPN	
009	SENDING UNIT, WATER		001	37750-611-154	A	JPN	
010	SENDING UNIT, WATER		001	37750-611-154	A	JPN	
011	SWITCH ASSY., THERMOSTAT	S	001	37760-371-003	A	JPN	
011	SWITCH ASSY., THERMOSTAT		001	37760-MB9-000	A	JPN	
012	COLLAR (12X10)	X	001	90701-371-000	A	JPN	
013	O-RING (54X2)	S	001	91302-317-700	A	JPN	
013	O-RING (54X2)	S	001	91307-MB0-000	A	JPN	
013	O-RING (54X2)		001	91307-MB0-003	A	JPN	
014	O-RING (21.9X2.3)		004	91301-MB6-003	A	JPN	

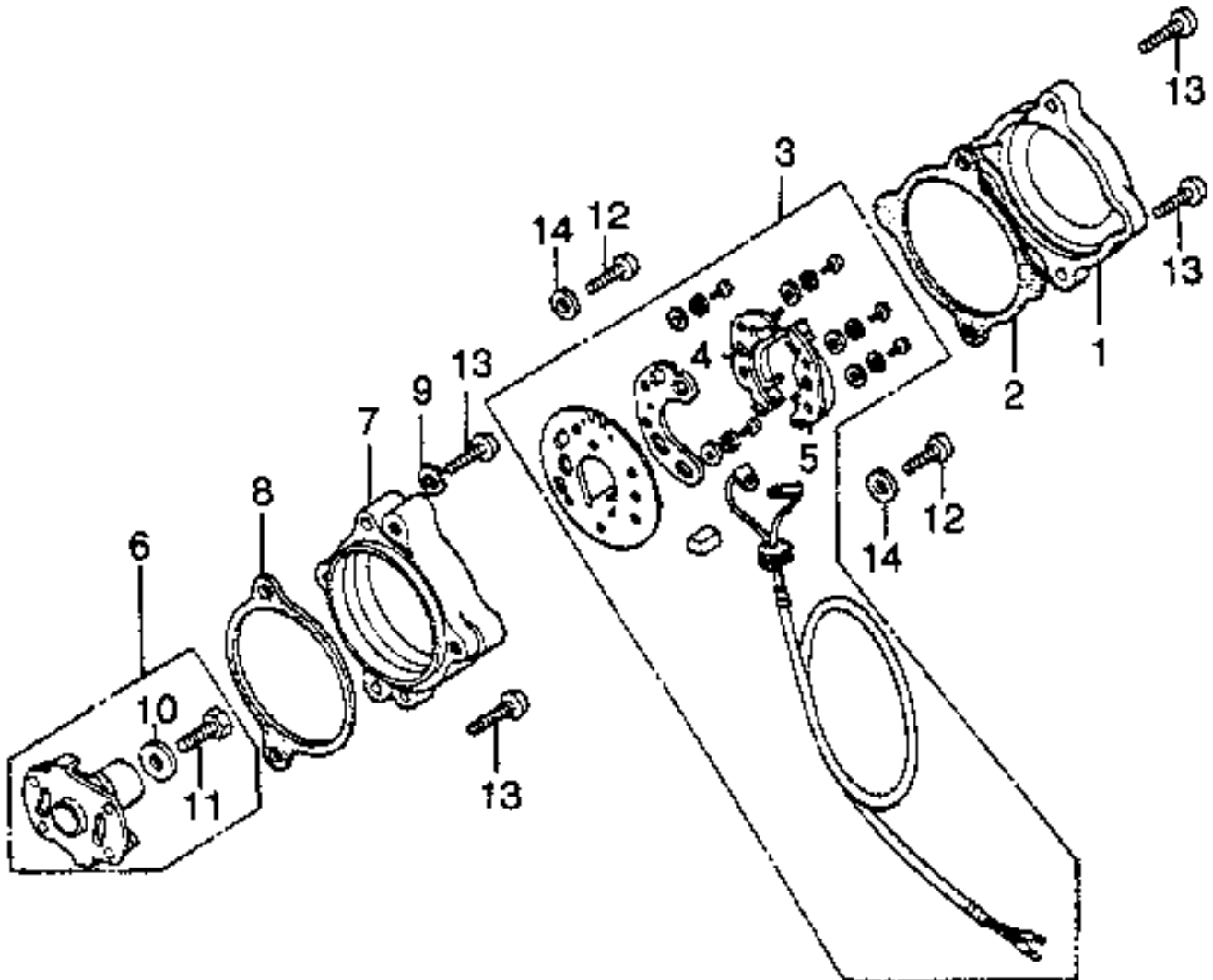
American Honda Motor Co., Inc.

Illustration: THERMOSTAT (E 06)
MOTORCYCLE, GOLD WING, GL1000, 1978

Ref.	Part Description	M...	Qty.	Part Number	Area	Origin	Label
014	O-RING (21.9X2.3)	S	004	91302-371-013	A	JPN	
014	O-RING (21.9X2.5)	S	004	91302-371-023	A	JPN	
015	O-RING (12.5X2.2)	S	001	91303-611-000	A	JPN	
015	O-RING (12.5X2.2)		001	91303-634-010	A	JPN	
016	O-RING (12.5X1.4)	S	001	91307-611-000	A	JPN	
016	O-RING (13.5X1.4)		001	91307-PH7-660	A	JPN	
017	O-RING (15.5X1.4)		001	91307-PH9-000	A	JPN	
017	O-RING (15.5X1.4)	S	001	91310-611-000	A	JPN	
018	BOLT, FLANGE (6X25)	S	004	95700-06025-00	A	JPN	
018	BOLT, FLANGE (6X25)		004	95701-06025-00	A	JPN	
019	BOLT, FLANGE (6X32)	S	002	95700-06032-00	A	JPN	
019	BOLT, FLANGE (6X32)		002	95701-06032-00	A	JPN	
020	BOLT, FLANGE (6X40)	S	003	95700-06040-00	A	JPN	
020	BOLT, FLANGE (6X40)		003	95701-06040-00	A	JPN	

American Honda Motor Co., Inc.

Illustration: POINTS (E 07)
MOTORCYCLE, GOLD WING, GL1000, 1978



PROGRAMS AND DATA ARE THE PROPERTY OF AMERICAN HONDA MOTOR CO., INC.

Parts List

Ref.	Part Description	M...	Qty.	Part Number	Area	Origin	Label
001	COVER, BREAKER	X	001	30070-371-000	A	JPN	
002	GASKET, BREAKER	D	001	30079-371-000	A	JPN	
002	GASKET, BREAKER		001	30079-371-306	A	JPN	
003	POINTS ASSY. (TOYO)		001	30200-371-004	A	JPN	
004	POINTS, R. (KOKUSAN)		001	30203-292-003	A	JPN	
004	POINTS, R. (TOYO)	Z	001	30203-292-154	A	JPN	
005	POINTS, L. (KOKUSAN)		001	30204-292-003	A	JPN	
005	POINTS, L. (TOYO)	Z	001	30204-292-154	A	JPN	
006	ADVANCER ASSY., SPARK (TOYO)	X	001	30220-431-004	A	JPN	

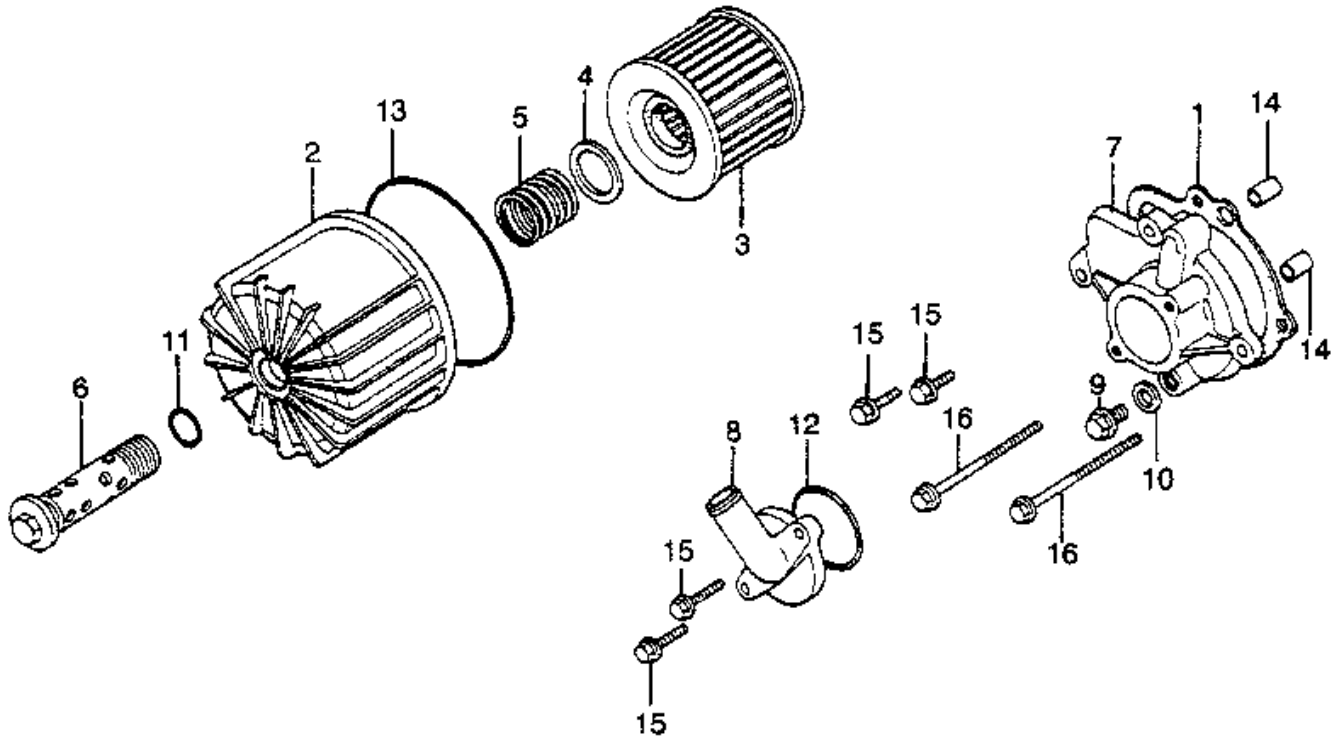
American Honda Motor Co., Inc.

Illustration: POINTS (E 07)
 MOTORCYCLE, GOLD WING, GL1000, 1978

Ref.	Part Description	M...	Qty.	Part Number	Area	Origin	Label
007	CASE, POINTS	X	001	30375-371-000	A	JPN	
008	GASKET, POINTS	D	001	30376-371-000	A	JPN	
008	GASKET, BREAKER		001	30376-371-306	A	JPN	
009	WASHER, SEALING (6MM)		001	90441-028-010	A	JPN	
010	WASHER, SPARK ADVANCER		001	90486-028-000	A	JPN	
011	BOLT, HEX. (6X14)	S	001	92000-06014	A	JPN	
011	BOLT, HEX. (6X14)		001	92101-06014-0A	A	JPN	
012	SCREW, PAN (6X12)	Z	002	93500-06012	A	JPN	
012	SCREW, PAN (6X12)	S	002	93500-06012-00	A	JPN	
012	SCREW, PAN (6X12)		002	93500-06012-0A	A	JPN	
013	SCREW, PAN (6X20)	Z	004	93500-06020	A	JPN	
013	SCREW, PAN (6X20)		004	93500-06020-0A	A	JPN	
014	WASHER, PLAIN (6MM)	S	002	94101-06000	A	JPN	
014	WASHER, PLAIN (6MM)	S	002	94101-06080	A	JPN	
014	WASHER, PLAIN (6MM)		002	94101-06800	A	JPN	

American Honda Motor Co., Inc.

Illustration: OIL FILTER □ WATER PUMP COVER (E 08)
MOTORCYCLE, GOLD WING, GL1000, 1978



PROGRAMS AND DATA ARE THE PROPERTY OF AMERICAN HONDA MOTOR CO., INC.

Parts List

Ref.	Part Description	M...	Qty.	Part Number	Area	Origin	Label
001	GASKET, WATER PUMP	D	001	11396-371-000	A	JPN	
001	GASKET, WATER PUMP	M	001	11396-371-306	A	JPN	
002	CASE, OIL FILTER	X	001	15411-371-000	A	JPN	
003	ELEMENT, OIL FILTER (TOKYO ROKI S		001	15410-422-000	A	JPN	
003	ELEMENT, OIL FILTER	S	001	15410-426-000	A	JPN	
003	ELEMENT, OIL FILTER		001	15410-426-010	A	JPN	
003	ELEMENT, OIL FILTER	S	001	15412-300-024	A	JPN	
003	ELEMENT, OIL FILTER	S	001	15412-300-325	A	JPN	
004	SEAT, OIL FILTER SPRING		001	15414-300-000	A	JPN	
005	SPRING, OIL FILTER ELEMENT		001	15415-300-000	A	JPN	
006	BOLT, OIL FILTER CENTER		001	15420-300-020	A	JPN	
007	COVER, WATER PUMP	S	001	19221-371-000	A	JPN	
007	COVER, WATER PUMP	S	001	19221-MB9-000	A	JPN	
008	CAP, WATER PUMP	X	001	19225-371-000	A	JPN	
009	BOLT, FLANGE (10X12)		001	90007-371-004	A	JPN	
010	WASHER (10.2MM)		001	90481-001-020	A	JPN	
011	O-RING (15X2.5)	Z	001	91302-028-000	A	JPN	
012	O-RING (46X2)	S	001	91305-216-000	A	JPN	
012	O-RING (46X2)		001	91305-426-003	A	JPN	
013	O-RING (89X4.5)	S	001	91316-300-005	A	JPN	

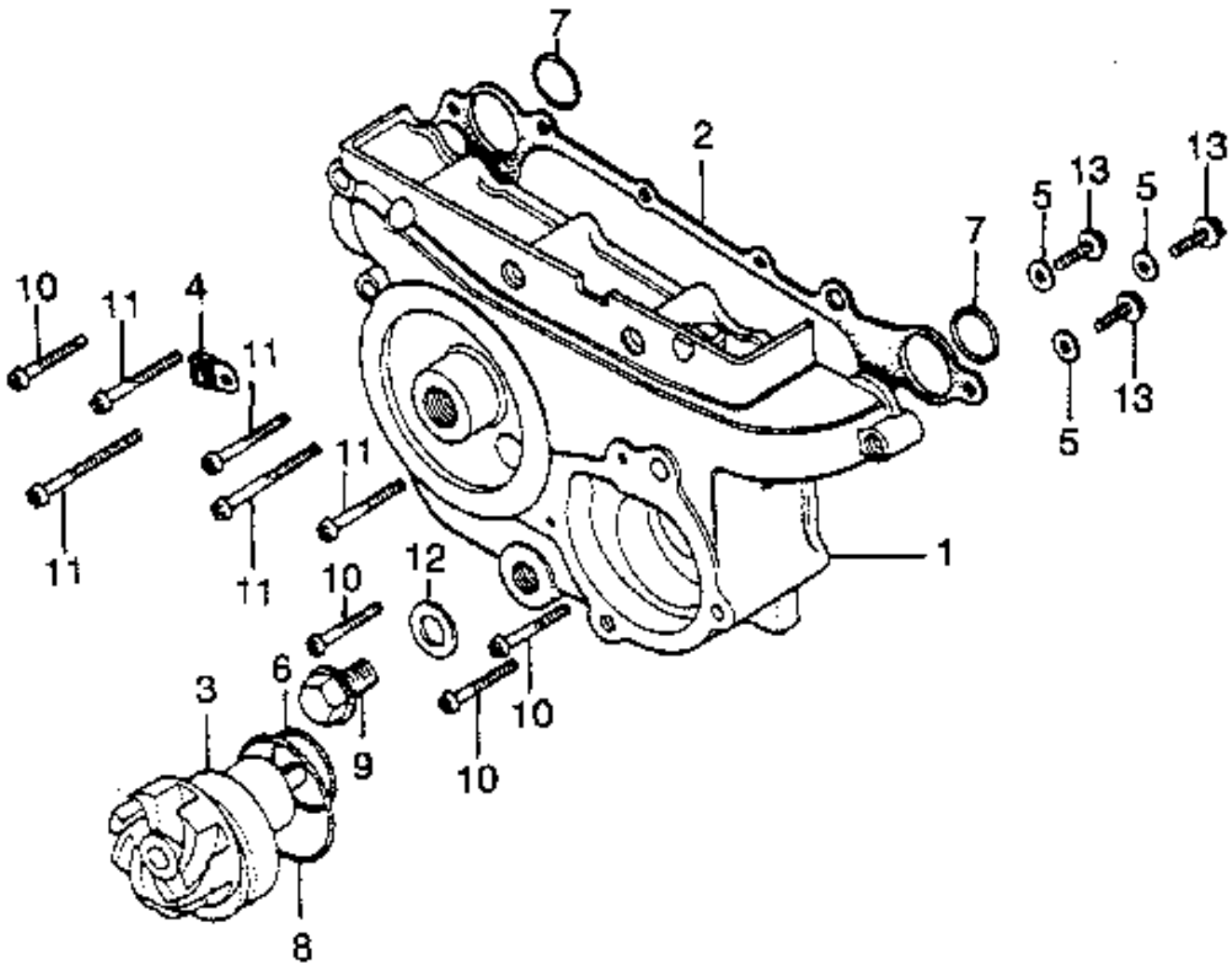
American Honda Motor Co., Inc.

Illustration: OIL FILTER □ WATER PUMP COVER (E 08)
MOTORCYCLE, GOLD WING, GL1000, 1978

Ref.	Part Description	M...	Qty.	Part Number	Area	Origin	Label
013	O-RING (89X4.5)		001	91316-425-003	A	JPN	
014	PIN A, DOWEL (8X14)		002	94301-08140	A	JPN	
015	BOLT, FLANGE (6X22)	S	004	95700-06022-00	A	JPN	
015	BOLT, FLANGE (6X22)	M	004	95701-06022-00	A	JPN	
016	BOLT, FLANGE (6X80)	S	002	95700-06080-00	A	JPN	
016	BOLT, FLANGE (6X80)		002	95701-06080-00	A	JPN	

American Honda Motor Co., Inc.

Illustration: TRANSMISSION COVER □ WATER PUMP (E 09)
MOTORCYCLE, GOLD WING, GL1000, 1978



PROGRAMS AND DATA ARE THE PROPERTY OF AMERICAN HONDA MOTOR CO., INC.

Parts List

Ref.	Part Description	M...	Qty.	Part Number	Area	Origin	Label
001	COVER, TRANSMISSION	S	001	11360-371-000	A	JPN	
002	GASKET, TRANSMISSION COVER	D	001	11391-371-000	A	JPN	
002	GASKET, TRANSMISSION COVER		001	11391-371-306	A	JPN	
003	WATER PUMP	S	001	19200-371-000	A	JPN	
003	WATER PUMP	S	001	19200-371-010	A	JPN	
003	WATER PUMP	S	001	19200-371-020	A	JPN	
003	WATER PUMP	F	001	19200-MG9-680	A	JPN	
003	WATER PUMP		001	19200-MG9-681	A	JPN	
004	CLAMP, CABLE		001	32111-323-000	A	JPN	
005	WASHER, SEALING (6MM)		003	90441-028-010	A	JPN	

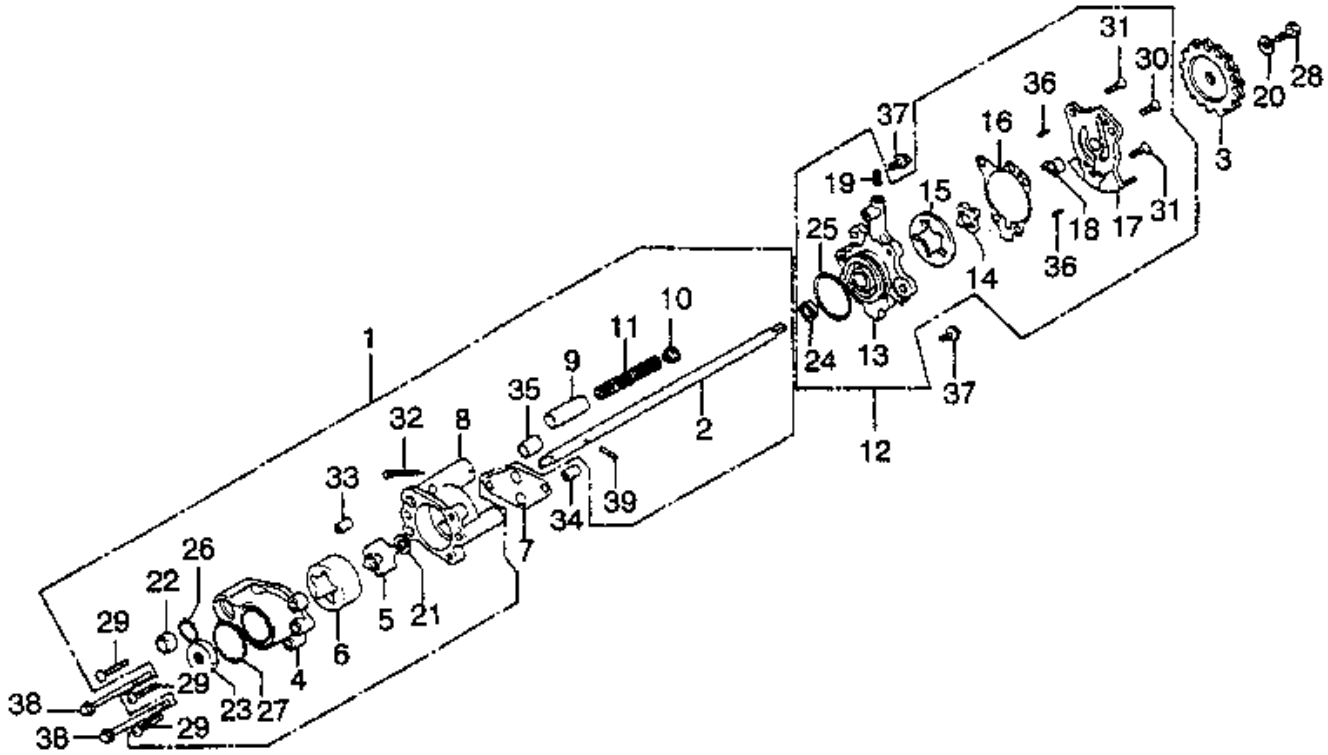
American Honda Motor Co., Inc.

Illustration: TRANSMISSION COVER □ WATER PUMP (E 09)
 MOTORCYCLE, GOLD WING, GL1000, 1978

Ref.	Part Description	M...	Qty.	Part Number	Area	Origin	Label
006	O-RING (37.2X2.3)	S	001	91303-283-000	A	JPN	
006	O-RING (37X2.4) (ARAI)		001	91305-KT7-003	A	JPN	
007	O-RING (23X2.1)	S	002	91312-371-003	A	JPN	
007	O-RING (23X2.1)		002	91312-371-013	A	JPN	
008	O-RING (56X2.4)		001	91356-706-000	A	JPN	
009	BOLT, DRAIN PLUG (14MM)		001	92800-14000	A	JPN	
010	SCREW, PAN (6X35)	S	004	93500-06035	A	JPN	
010	SCREW, PAN (6X35)	M	004	93500-06035-0A	A	JPN	
011	SCREW, PAN (6X55)	S	005	93500-06055	A	JPN	
011	SCREW, PAN (6X55)	M	005	93500-06055-0A	A	JPN	
012	WASHER, DRAIN PLUG (14MM)	M	001	94109-14000	A	JPN	
013	BOLT, FLANGE (6X18)	M	003	95700-06018-00	A	JPN	
013	BOLT, FLANGE (6X18)		003	95701-06018-00	A	JPN	

American Honda Motor Co., Inc.

Illustration: OIL PUMP (E 10)
MOTORCYCLE, GOLD WING, GL1000, 1978



PROGRAMS AND DATA ARE THE PROPERTY OF AMERICAN HONDA MOTOR CO., INC.

Parts List

Ref.	Part Description	M...	Qty.	Part Number	Area	Origin	Label
001	PUMP ASSY., OIL	X	001	15110-371-000	A	JPN	
002	SHAFT, OIL PUMP	X	001	15111-371-000	A	JPN	
003	SPROCKET, OIL PUMP	X	001	15116-371-003	A	JPN	
004	BODY, OIL PUMP	X	001	15121-371-010	A	JPN	
005	ROTOR A, OIL PUMP (INNER)	X	001	15125-371-000	A	JPN	
006	ROTOR A, OIL PUMP (OUTER)	X	001	15126-371-000	A	JPN	
007	GASKET, OIL PASSAGE	X	001	15128-371-000	A	JPN	
008	BASE, OIL PUMP	X	001	15131-371-010	A	JPN	
009	VALVE, RELIEF	X	001	15141-371-000	A	JPN	
010	SEAT, RELIEF VALVE		001	15142-371-000	A	JPN	
011	SPRING, RELIEF VALVE	X	001	15145-371-000	A	JPN	
012	PUMP ASSY., CLUTCH OIL	X	001	15220-371-000	A	JPN	
013	BODY, CLUTCH OIL PUMP	X	001	15221-371-000	A	JPN	
014	ROTOR B (INNER)		001	15225-371-000	A	JPN	
015	ROTOR B (OUTER)	X	001	15226-371-000	A	JPN	
016	GASKET, CLUTCH OIL PUMP	X	001	15229-371-000	A	JPN	
017	COVER, CLUTCH OIL PUMP	X	001	15231-371-000	A	JPN	
018	COLLAR, OIL PUMP		001	15256-371-005	A	JPN	
019	SCREW, SEALING		001	90025-371-000	A	JPN	

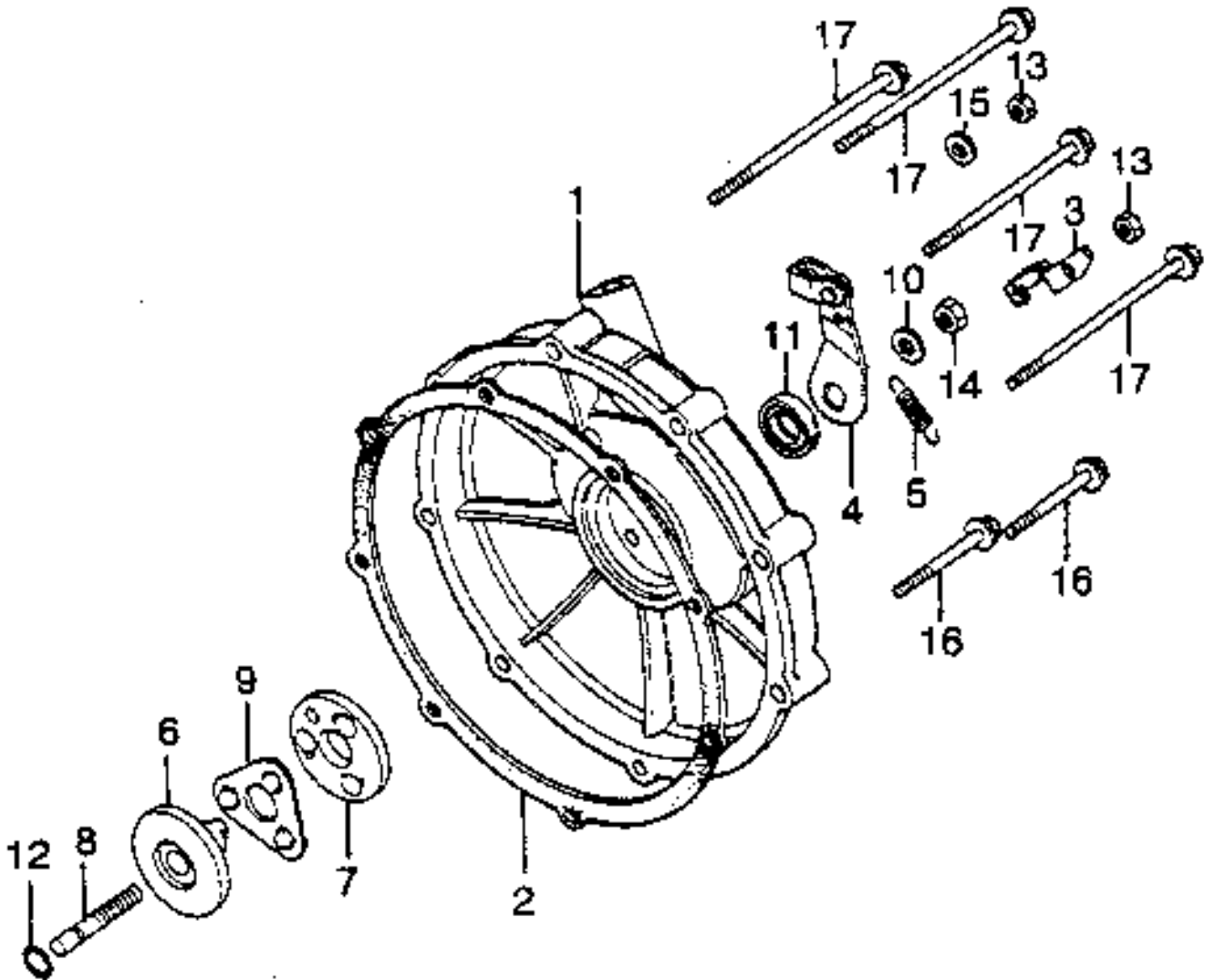
American Honda Motor Co., Inc.

Illustration: OIL PUMP (E 10)
MOTORCYCLE, GOLD WING, GL1000, 1978

Ref.	Part Description	M...	Qty.	Part Number	Area	Origin	Label
020	WASHER, GEARSHIFT DRUM SIDE		001	90417-041-000	A	JPN	
021	WASHER, THRUST (11MM)		001	90456-333-000	A	JPN	
022	COLLAR (17X10)		001	90703-371-000	A	JPN	
023	OIL SEAL (10X25X7)		001	91207-580-003	A	JPN	
023	OIL SEAL (10X25X7)	S	001	91207-580-015	A	JPN	
024	OIL SEAL (11X15X3)	S	001	91208-300-003	A	JPN	
024	OIL SEAL (11X15X3) (KOYO)		001	91208-MN1-771	A	JPN	
025	O-RING (33.5X3)	S	001	91302-200-000	A	JPN	
025	O-RING (33.5X3)	S	001	91302-943-003	A	JPN	
025	O-RING (33.5X3.0)		001	91304-HB3-003	A	JPN	
026	O-RING (17X2.5)	S	001	91333-567-010	A	JPN	
026	O-RING (17.0X2.5) (ARAI)		001	91333-KE5-003	A	JPN	
027	O-RING (29X2.2)		001	91345-580-000	A	JPN	
028	BOLT, HEX. (6X12)	S	001	92000-06012	A	JPN	
028	BOLT, HEX. (6X12)	S	001	92101-06012	A	JPN	
028	BOLT, HEX. (6X12)		001	92101-06012-0A	A	JPN	
029	SCREW, PAN (6X28)	S	003	93500-06028	A	JPN	
029	SCREW, PAN (6X28)		003	93500-06028-0A	A	JPN	
030	SCREW, FLAT (5X12)		001	93600-05012-0H	A	JPN	
031	SCREW, FLAT (5X14)		002	93600-05014-0A	A	JPN	
032	PIN, COTTER (3.0X25)	S	001	94201-30250	A	JPN	
032	PIN, COTTER (3X30)	S	001	94201-30300	A	JPN	
032	PIN, COTTER (3.0X40)	S	001	94201-30400	A	JPN	
032	PIN, COTTER (3.0X45)		001	94201-30450	A	JPN	
033	PIN A, DOWEL (8X10)		002	94301-08100	A	JPN	
034	PIN A, DOWEL (8X14)		001	94301-08140	A	JPN	
035	PIN A, DOWEL (14X20)	M	001	94301-14200	A	JPN	
036	PIN C, DOWEL (4X6.5)		002	94303-04065	A	JPN	
037	BOLT, FLANGE (6X18)	M	003	95700-06018-00	A	JPN	
037	BOLT, FLANGE (6X18)		003	95701-06018-00	A	JPN	
038	BOLT, FLANGE (6X80)	S	002	95700-06080-00	A	JPN	
038	BOLT, FLANGE (6X80)		002	95701-06080-00	A	JPN	
039	ROLLER (4X15.8)		001	96220-40158	A	JPN	

American Honda Motor Co., Inc.

Illustration: CLUTCH COVER (E 11)
MOTORCYCLE, GOLD WING, GL1000, 1978



PROGRAMS AND DATA ARE THE PROPERTY OF AMERICAN HONDA MOTOR CO., INC.

Parts List

Ref.	Part Description	M...	Qty.	Part Number	Area	Origin	Label
001	COVER, CLUTCH	W	001	11342-371-000	A	JPN	
002	GASKET, CLUTCH COVER	D	001	11393-371-000	A	JPN	
002	GASKET, CLUTCH COVER	M	001	11393-371-306	A	JPN	
003	CLIP, OIL DRAIN TUBE	X	001	15707-371-000	A	JPN	
004	LEVER, CLUTCH	X	001	22810-371-000	A	JPN	
005	SPRING, CLUTCH LEVER		001	22815-300-000	A	JPN	
006	SHAFT, CLUTCH RELEASE	X	001	22820-371-000	A	JPN	
007	CAM, CLUTCH LIFTER	X	001	22830-371-000	A	JPN	
008	BOLT, CLUTCH ADJUSTING	W	001	22841-300-000	A	JPN	

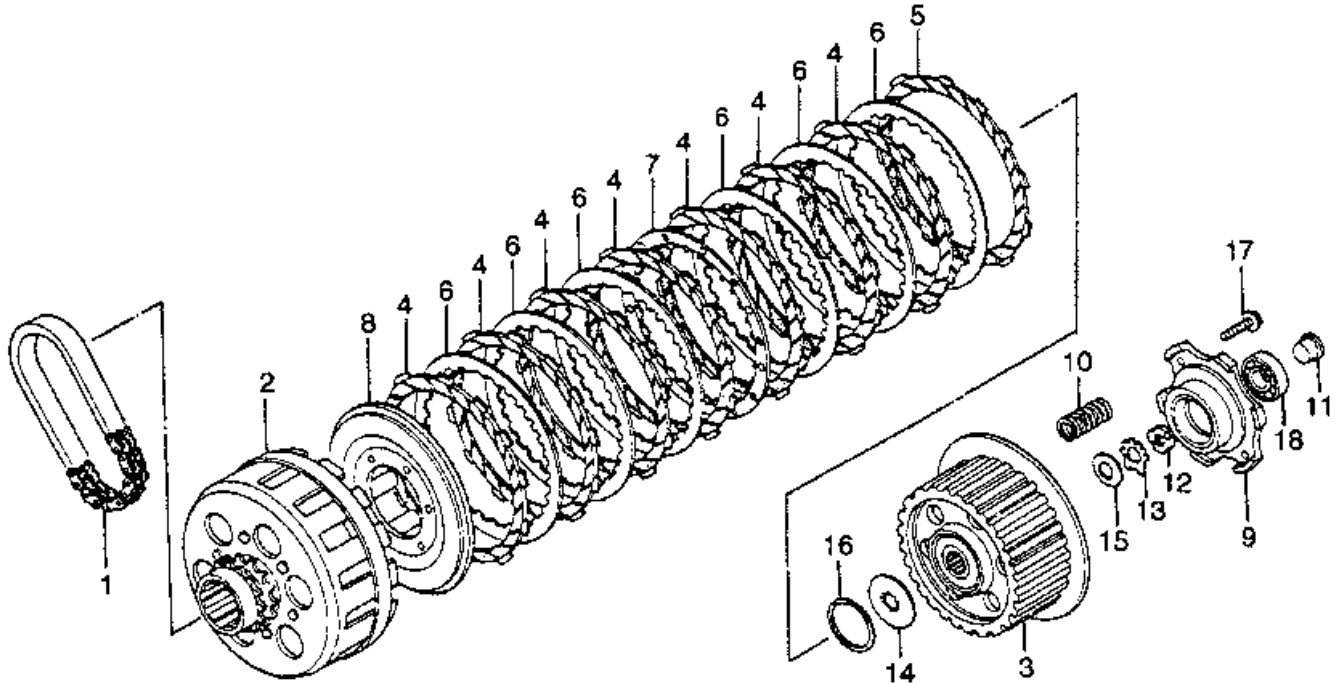
American Honda Motor Co., Inc.

Illustration: CLUTCH COVER (E 11)
MOTORCYCLE, GOLD WING, GL1000, 1978

Ref.	Part Description	M...	Qty.	Part Number	Area	Origin	Label
009	RETAINER, CLUTCH BALL	W	001	22860-300-006	A	JPN	
010	WASHER, HEAD (8MM)		001	90402-822-000	A	JPN	
011	OIL SEAL (14X24X5)	X	001	91202-216-003	A	JPN	
011	OIL SEAL (14X24X5)	S	001	91202-302-000	A	JPN	
011	OIL SEAL (14X24X5)	S	001	91202-302-010	A	JPN	
011	OIL SEAL 13.8X24X		001	91202-KFL-841	A	JPN	
011	OIL SEAL (14X24X5)	M	001	91205-035-303	A	JPN	
011	OIL SEAL (13.8X24X5)	S	001	91205-HB2-771	A	JPN	
011	OIL SEAL (13.8X24X5)	S	001	91205-HB2-772	A	JPN	
012	O-RING (5X2.4)	S	001	91301-283-005	A	JPN	
012	O-RING (5X2.5)	S	001	91301-393-000	A	JPN	
012	O-RING (4.9X2.5)		001	91301-426-010	A	JPN	
013	NUT, HEX. (6MM)	M	002	94001-06000-0S	A	JPN	
013	NUT, HEX. (6MM)	M	002	94001-06200-0S	A	JPN	
014	NUT, HEX. (8MM)	M	001	94002-08000-0S	A	JPN	
015	WASHER, PLAIN (6MM)	S	001	94101-06000	A	JPN	
015	WASHER, PLAIN (6MM)	S	001	94101-06080	A	JPN	
015	WASHER, PLAIN (6MM)		001	94101-06800	A	JPN	
016	BOLT, FLANGE (6X35)	S	002	95700-06035-00	A	JPN	
016	BOLT, FLANGE (6X35)		002	95701-06035-00	A	JPN	
017	BOLT, FLANGE (6X85)	S	004	95700-06085-00	A	JPN	
017	BOLT, FLANGE (6X85)	M	004	95701-06085-00	A	JPN	

American Honda Motor Co., Inc.

Illustration: CLUTCH (E 12)
MOTORCYCLE, GOLD WING, GL1000, 1978



PROGRAMS AND DATA ARE THE PROPERTY OF AMERICAN HONDA MOTOR CO., INC.

Parts List

Ref.	Part Description	M...	Qty.	Part Number	Area	Origin	Label
001	CHAIN, OIL PUMP		001	15130-371-003	A	JPN	
002	CLUTCH (OUTER)	X	001	22100-371-020	A	JPN	
003	CENTER, CLUTCH	X	001	22120-371-020	A	JPN	
004	DISK A, CLUTCH FRICTION	M	007	22201-371-000	A	JPN	
005	DISK B, CLUTCH FRICTION	Z	001	22202-371-000	A	JPN	
005	DISK B, CLUTCH FRICTION	M	001	22202-392-000	A	JPN	
006	PLATE B, CLUTCH	S	006	22321-283-000	A	JPN	
006	PLATE, CLUTCH		006	22321-MG8-000	A	JPN	
007	PLATE B, CLUTCH		001	22322-371-020	A	JPN	
008	PLATE, PRESSURE	X	001	22350-371-020	A	JPN	
009	PLATE, CLUTCH LIFTER	X	001	22360-371-000	A	JPN	
010	SPRING, CLUTCH	S	006	22401-268-000	A	JPN	
010	SPRING, CLUTCH		006	95014-75140	A	JPN	
011	PIECE, CLUTCH LIFTER		001	22846-371-000	A	JPN	
012	NUT, LOCK (16MM)	S	001	90231-200-010	A	JPN	
012	NUT, LOCK (16MM)		001	90231-KCS-651	A	JPN	
013	WASHER, SPRING (16MM)		001	90431-292-000	A	JPN	
014	WASHER, SPLINE (23MM)	S	001	90432-371-000	A	JPN	
014	WASHER, SPLINE (23MM)		001	90433-MB0-000	A	JPN	
015	WASHER (16MM)	X	001	90481-292-000	A	JPN	
016	CIRCLIP (OUTER) (40MM)	X	001	90602-371-000	A	JPN	

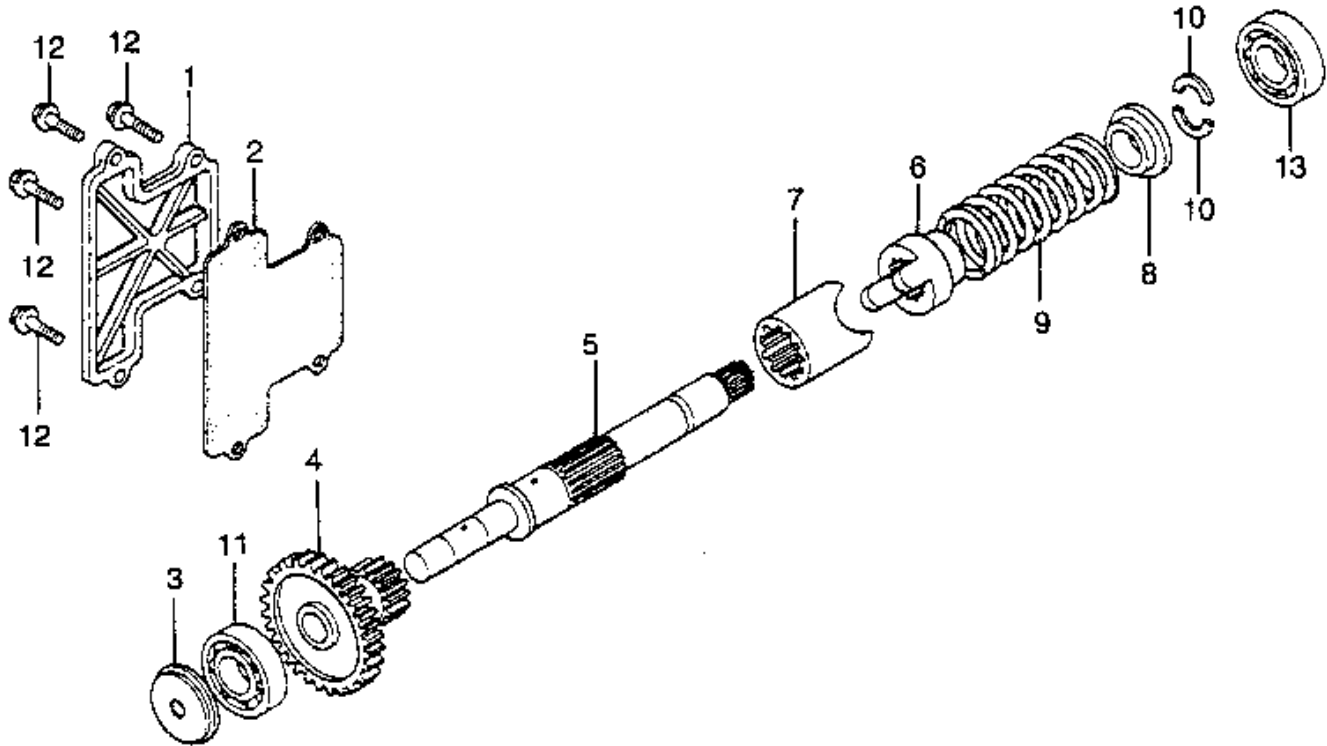
American Honda Motor Co., Inc.

Illustration: CLUTCH (E 12)
MOTORCYCLE, GOLD WING, GL1000, 1978

Ref.	Part Description	M...	Qty.	Part Number	Area	Origin	Label
017	BOLT, FLANGE (6X22)	S	006	95700-06022-00	A	JPN	
017	BOLT, FLANGE (6X22)	M	006	95701-06022-00	A	JPN	
018	BEARING, RADIAL BALL (6205)	M	001	96100-62050	A	JPN	
018	BEARING, RADIAL BALL (6205)	M	001	96100-62050-00	A	JPN	
018	BEARING, RADIAL BALL (6205)		001	96100-62050-10	A	JPN	

American Honda Motor Co., Inc.

Illustration: FINAL GEARSHAFT (E 13)
MOTORCYCLE, GOLD WING, GL1000, 1978



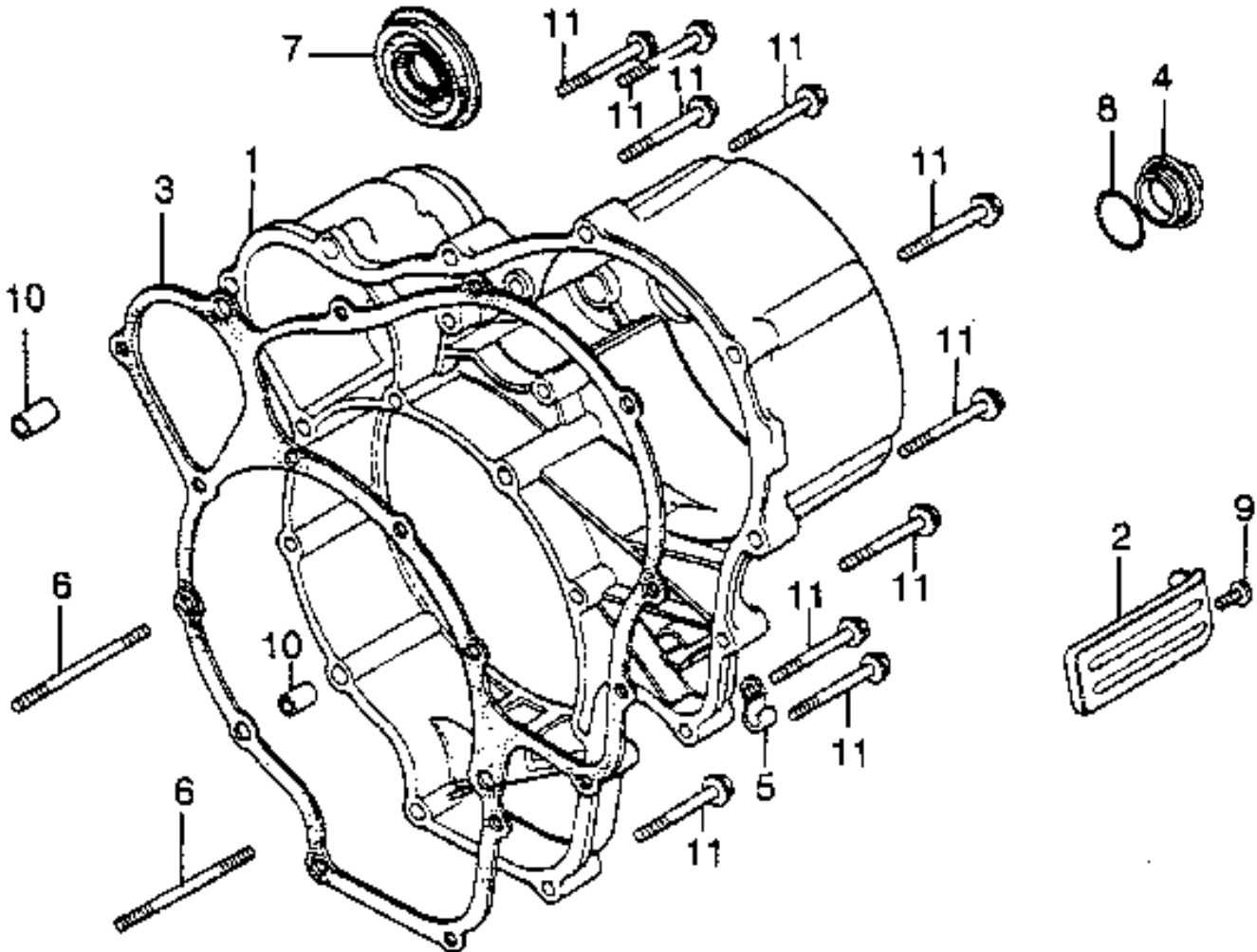
PROGRAMS AND DATA ARE THE PROPERTY OF AMERICAN HONDA MOTOR CO., INC.

Parts List

Ref.	Part Description	M...	Qty.	Part Number	Area	Origin	Label
001	COVER, FINAL GEAR	X	001	11371-371-000	A	JPN	
002	GASKET, FINAL GEAR COVER	D	001	11372-371-010	A	JPN	
003	PLATE B, OIL PASSAGE	X	001	23161-371-000	A	JPN	
004	GEAR, FINAL DRIVEN (33T)		001	23511-371-000	A	JPN	
005	SHAFT, FINAL GEAR	W	001	23521-371-020	A	JPN	
006	LIFTER, DAMPER	X	001	23721-371-000	A	JPN	
007	CAM, DAMPER	X	001	23722-371-000	A	JPN	
008	STOPPER, DAMPER SPRING	X	001	23731-371-000	A	JPN	
009	SPRING, DAMPER	X	001	23732-371-000	A	JPN	
010	WASHER, SPRING STOPPER		002	23733-371-000	A	JPN	
011	BEARING, BALL (6304C) (KOYO)	Z	001	91002-371-004	A	JPN	
011	BEARING, RADIAL BALL (20X52X15)		001	91003-MG8-003	A	JPN	
012	BOLT, FLANGE (6X25)	S	004	95700-06025-00	A	JPN	
012	BOLT, FLANGE (6X25)		004	95701-06025-00	A	JPN	
013	BEARING, RADIAL BALL (6003)	S	001	96100-60030	A	JPN	
013	BEARING, RADIAL BALL (6003)		001	96100-60030-00	A	JPN	

American Honda Motor Co., Inc.

Illustration: REAR CASE (E 14)
MOTORCYCLE, GOLD WING, GL1000, 1978



PROGRAMS AND DATA ARE THE PROPERTY OF AMERICAN HONDA MOTOR CO., INC.

Parts List

Ref.	Part Description	M...	Qty.	Part Number	Area	Origin	Label
001	COVER, RR.	X	001	11311-431-000	A	JPN	
002	INSULATOR, HEAT	S	001	11315-371-010	A	JPN	
002	INSULATOR, HEAT		001	11315-463-000	A	JPN	
003	GASKET, R. CRANKCASE COVER	D	001	11394-371-000	A	JPN	
003	GASKET, R. CRANKCASE COVER	M	001	11394-371-306	A	JPN	
004	CAP, VALVE ADJ.	S	002	12361-035-000	A	JPN	
004	CAP, VALVE ADJ.		002	12361-300-000	A	JPN	
004	CAP, VALVE ADJ.	S	002	12361-371-980	A	JPN	
005	CLAMP A, CABLE	X	001	32117-371-000	A	JPN	
006	BOLT, STUD (6X93)	X	002	90028-371-004	A	JPN	
007	OIL SEAL (25X54X7)		001	91204-371-005	A	JPN	

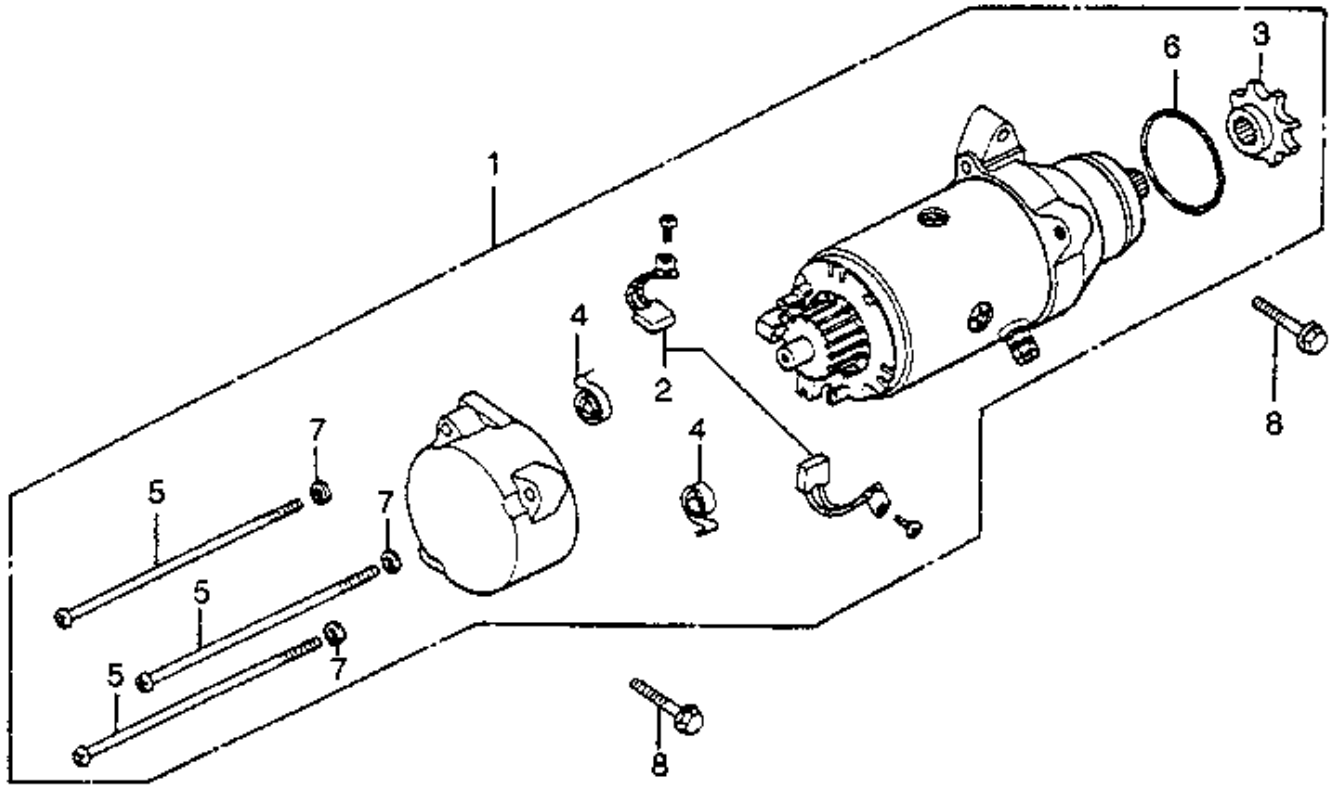
American Honda Motor Co., Inc.

Illustration: REAR CASE (E 14)
MOTORCYCLE, GOLD WING, GL1000, 1978

Ref.	Part Description	M...	Qty.	Part Number	Area	Origin	Label
008	O-RING (30.8MM)		001	91302-001-020	A	JPN	
009	SCREW, PAN (6X8)	S	001	90053-371-980	A	JPN	
009	SCREW, PAN (6X8)	Z	001	93500-06008	A	JPN	
009	SCREW, PAN (6X8)	Z	001	93500-06008-0A	A	JPN	
009	SCREW, PAN (6X8)		001	93500-06008-0H	A	JPN	
009	SCREW, PAN (6X8)	S	001	93500-06008-1H	A	JPN	
010	PIN A, DOWEL (8X14)		002	94301-08140	A	JPN	
011	BOLT, FLANGE (6X35)	S	011	95700-06035-00	A	JPN	
011	BOLT, FLANGE (6X35)		011	95701-06035-00	A	JPN	

American Honda Motor Co., Inc.

Illustration: STARTER MOTOR (E 15)
MOTORCYCLE, GOLD WING, GL1000, 1978



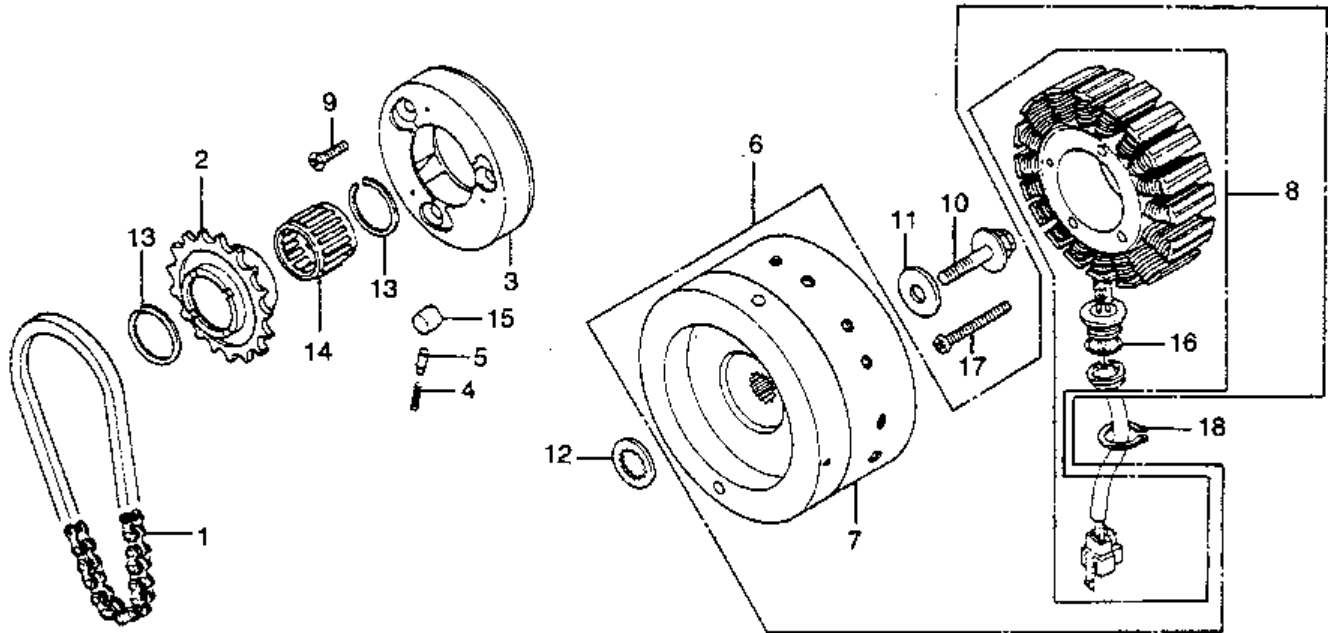
PROGRAMS AND DATA ARE THE PROPERTY OF AMERICAN HONDA MOTOR CO., INC.

Parts List

Ref.	Part Description	M...	Qty.	Part Number	Area	Origin	Label
001	MOTOR ASSY., STARTER	D	001	31200-371-005	A	JPN	
002	BRUSH SET, CARBON		001	31201-292-158	A	JPN	
003	SPROCKET (MITSUBA)	X	001	31202-371-005	A	JPN	
004	SPRING, CARBON BRUSH		002	31204-292-158	A	JPN	
005	BOLT, SETTING	X	003	31205-371-005	A	JPN	
006	O-RING (42.5X2)	S	001	91309-283-005	A	JPN	
006	O-RING		001	91309-MA6-000	A	JPN	
007	WASHER, SPRING (5MM)		003	94111-05000	A	JPN	
008	BOLT, FLANGE (6X28)	Z	002	95700-06028-00	A	JPN	
008	BOLT, FLANGE (6X28)		002	95701-06028-00	A	JPN	

American Honda Motor Co., Inc.

Illustration: ALTERNATOR (E 16)
MOTORCYCLE, GOLD WING, GL1000, 1978



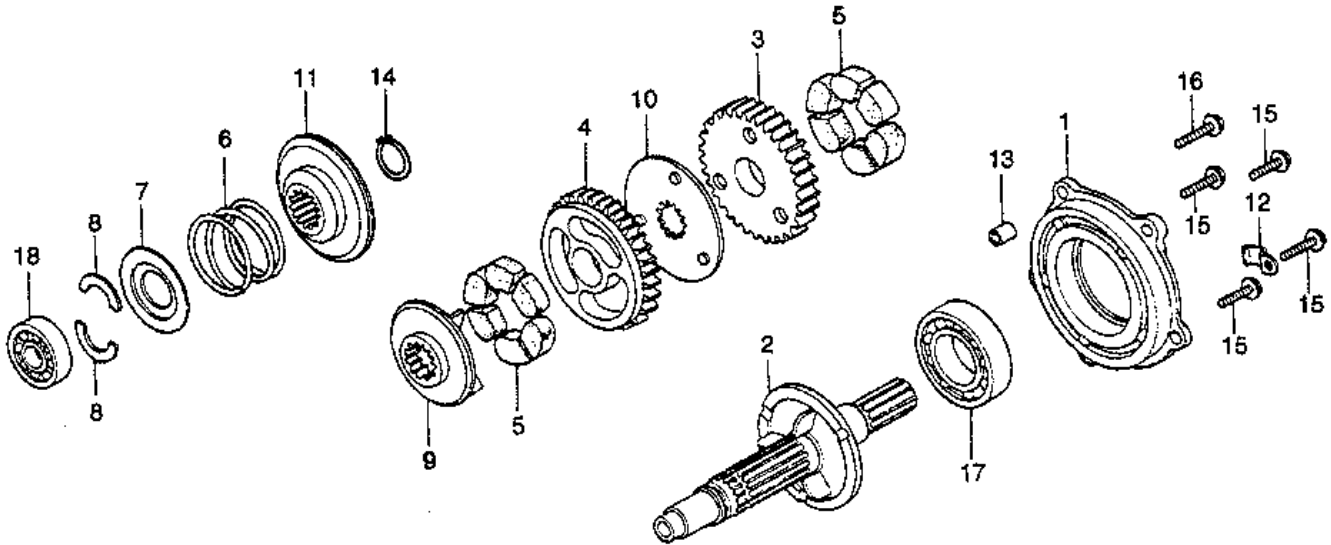
PROGRAMS AND DATA ARE THE PROPERTY OF AMERICAN HONDA MOTOR CO., INC.

Parts List

Ref.	Part Description	M...	Qty.	Part Number	Area	Origin	Label
001	CHAIN, STARTER (DAIDO)	X	001	28101-371-003	A	JPN	
002	SPROCKET, STARTING		001	28111-371-000	A	JPN	
003	CLUTCH, STARTING		001	28120-371-000	A	JPN	
004	SPRING, STARTER CLUTCH		003	28125-516-030	A	JPN	
005	CAP, STARTER CLUTCH ROLLER		003	28126-516-020	A	JPN	
006	ALTERNATOR ASSY. (KOKUSAN)	X	001	31100-371-013	A	JPN	
007	FLYWHEEL (KOKUSAN)	S	001	31110-371-003	A	JPN	
007	ROTOR (KOKUSAN)	S	001	31110-463-003	A	JPN	
007	ROTOR (KOKUSAN)	X	001	31110-MB9-003	A	JPN	
008	STATOR (KOKUSAN)	S	001	31120-371-013	A	JPN	
008	STATOR (KOKUSAN)	S	001	31120-463-003	A	JPN	
008	STATOR (KOKUSAN)		001	31120-MB9-003	A	JPN	
009	SCREW, FLAT (8X22)		003	90015-371-003	A	JPN	
010	BOLT, SETTING (12X40)	X	001	90023-371-000	A	JPN	
011	WASHER (12.2X33X3.2)		001	90401-371-000	A	JPN	
012	WASHER, THRUST (25X24)	W	001	90454-371-000	A	JPN	
013	CIRCLIP (INNER) (33MM)		002	90605-371-000	A	JPN	
014	BEARING, NEEDLE (28X33X26)	W	001	91101-371-006	A	JPN	
015	ROLLER (15X13)		003	91101-516-000	A	JPN	
016	O-RING (23X2)		001	91354-371-000	A	JPN	
017	SCREW, PAN (6X40)	S	003	93500-06040	A	JPN	
017	SCREW, PAN (6X40)	M	003	93500-06040-0A	A	JPN	
018	CIRCLIP (OUTER) (26MM)		001	94511-26000	A	JPN	

American Honda Motor Co., Inc.

Illustration: ALTERNATOR SHAFT (E 17)
MOTORCYCLE, GOLD WING, GL1000, 1978



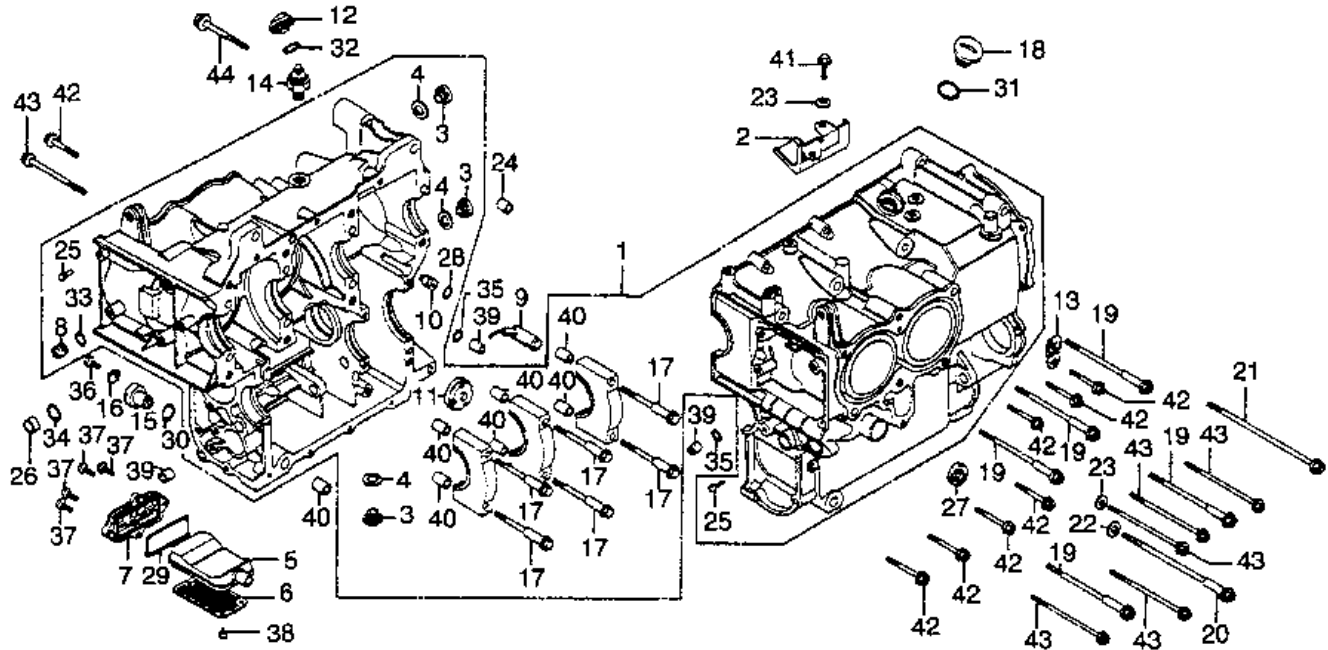
PROGRAMS AND DATA ARE THE PROPERTY OF AMERICAN HONDA MOTOR CO., INC.

Parts List

Ref.	Part Description	M...	Qty.	Part Number	Area	Origin	Label
001	HOLDER, ALTERNATOR BEARING	X	001	11321-371-000	A	JPN	
002	SHAFT, ALTERNATOR	X	001	13410-371-000	A	JPN	
003	GEAR A, ALTERNATOR DRIVEN	X	001	13431-371-000	A	JPN	
004	GEAR B, ALTERNATOR DRIVEN	X	001	13432-371-000	A	JPN	
005	RUBBER, DAMPER		012	13436-371-000	A	JPN	
006	SPRING, ALTERNATOR DAMPER	X	001	13437-371-000	A	JPN	
007	RETAINER, ALTERNATOR SPRING		001	13438-371-007	A	JPN	
008	COTTER, ALTERNATOR SPRING	X	002	13439-371-000	A	JPN	
009	PLATE B, DAMPER		001	13442-371-000	A	JPN	
010	PLATE, STOPPER	X	001	13446-371-000	A	JPN	
011	PLATE, PRESSURE	X	001	13451-371-000	A	JPN	
012	PLATE, CHAIN GUIDE		001	28114-371-000	A	JPN	
013	PIN A, DOWEL (8X14)		001	94301-08140	A	JPN	
014	CIRCLIP (OUTER) (28MM)	X	001	94510-28000	A	JPN	
015	BOLT, FLANGE (6X22)	S	004	95700-06022-00	A	JPN	
015	BOLT, FLANGE (6X22)	M	004	95701-06022-00	A	JPN	
016	BOLT, FLANGE (6X32)	S	001	95700-06032-00	A	JPN	
016	BOLT, FLANGE (6X32)		001	95701-06032-00	A	JPN	
017	BEARING, RADIAL BALL (6007)	Z	001	96100-60070	A	JPN	
017	BEARING, RADIAL BALL (6007)		001	96100-60070-00	A	JPN	
018	BEARING, RADIAL BALL (6303U)	S	001	96140-63030	A	JPN	
018	BEARING, RADIAL BALL (6303)	S	001	96140-63030-00	A	JPN	
018	BEARING, RADIAL BALL (6303U)		001	96140-63030-10	A	JPN	

American Honda Motor Co., Inc.

Illustration: CYLINDER BLOCK (E 18)
MOTORCYCLE, GOLD WING, GL1000, 1978



PROGRAMS AND DATA ARE THE PROPERTY OF AMERICAN HONDA MOTOR CO., INC.

Parts List

Ref.	Part Description	M...	Qty.	Part Number	Area	Origin	Label
001	BLOCK ASSY., CYLINDER	S	001	11000-371-040	A	JPN	
				-4010319			
001	BLOCK ASSY., CYLINDER		001	11000-371-050	A	JPN	
				-4010319			
001	BLOCK ASSY., CYLINDER		001	11000-371-050	A	JPN	
002	GUIDE, OIL	X	001	11220-371-000	A	JPN	
003	BOLT, SEALING (18MM)	Z	003	12206-371-305	A	JPN	
003	BOLT, SEALING (18MM)		003	12206-ML8-300	A	JPN	
004	WASHER, SEALING BOLT		003	12207-611-300	A	JPN	
005	CASE, OIL STRAINER	X	001	15151-371-000	A	JPN	
006	SCREEN, OIL STRAINER		001	15152-371-000	A	JPN	
007	COVER, OIL STRAINER	X	001	15153-371-000	A	JPN	
008	PLUG, OIL TUBE		001	15337-300-010	A	JPN	
009	NOZZLE, OIL SUPPLY		001	15520-371-000	A	JPN	
010	ORIFICE, CHAIN		001	15530-371-000	A	JPN	
011	FINDER, OIL LEVEL	S	001	15661-371-015	A	JPN	
011	FINDER, OIL LEVEL		001	15661-KM3-005	A	JPN	
012	CAP, LEVEL GAUGE		001	25611-371-000	A	JPN	
013	CLAMP, CABLE		001	32111-323-000	A	JPN	
014	SWITCH ASSY., OIL PRESSURE	S	001	35500-333-014	A	JPN	
014	SWITCH ASSY., OIL PRESSURE	M	001	37240-P13-013	A	JPN	
015	SWITCH ASSY., NEUTRAL	S	001	35752-300-010	A	JPN	
015	SWITCH ASSY., NEUTRAL		001	35752-300-020	A	JPN	

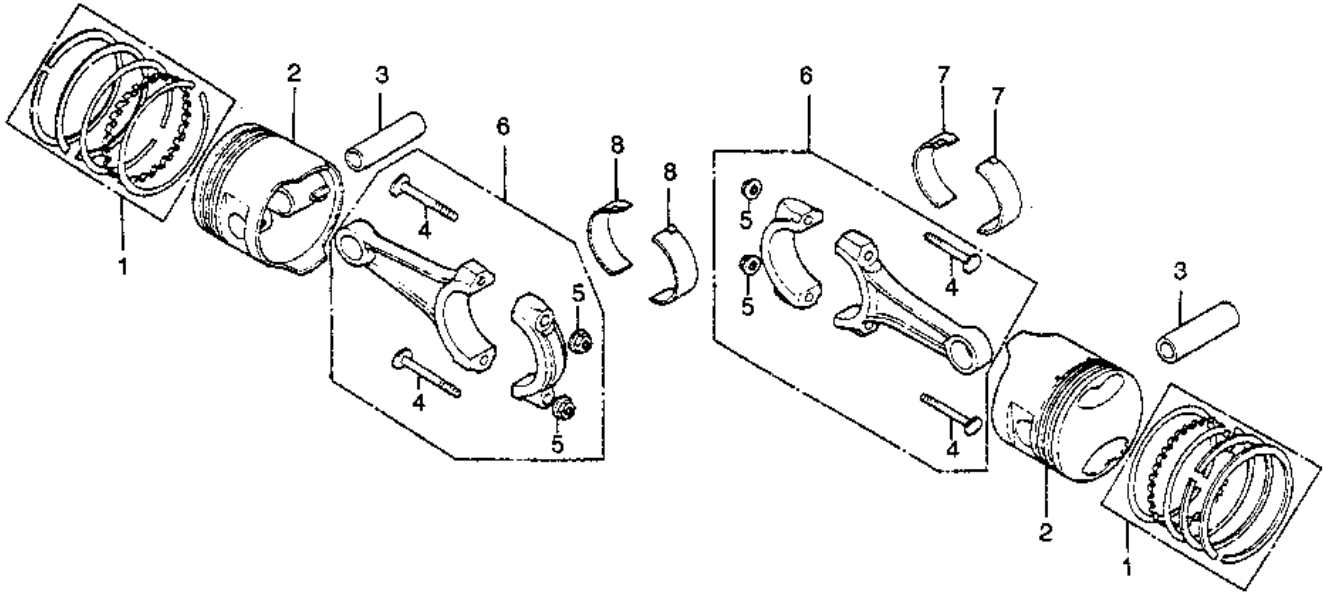
American Honda Motor Co., Inc.

Illustration: CYLINDER BLOCK (E 18)
MOTORCYCLE, GOLD WING, GL1000, 1978

Ref.	Part Description	M...	Qty.	Part Number	Area	Origin	Label
016	STOPPER, NEUTRAL SWITCH	X	001	35754-300-020	A	JPN	
017	BOLT, FLANGE (10X80)	S	006	90003-371-003	A	JPN	
				-4011984			
017	BOLT, FLANGE (10X82)	X	006	90003-371-013	A	JPN	
018	BOLT, SPECIAL (25MM)	S	001	90008-371-000	A	JPN	
018	BOLT, SPECIAL (25MM)		001	90008-443-000	A	JPN	
019	BOLT, FLANGE (10X120) (SATO)	S	005	90009-371-005	A	JPN	
019	BOLT, FLANGE (10X120)		005	90009-371-015	A	JPN	
020	BOLT, FLANGE (10X166) (SATO)	X	001	90010-371-005	A	JPN	
021	BOLT, FLANGE (8X175)	X	001	90026-371-004	A	JPN	
022	WASHER (21X11X2.3)		001	90438-634-000	A	JPN	
023	WASHER, SEALING (6MM)		003	90441-028-010	A	JPN	
024	COLLAR (15X20)		001	90702-371-000	A	JPN	
025	PIN (4X12MM)	W	002	90702-634-300	A	JPN	
026	COLLAR (17X10)		001	90703-371-000	A	JPN	
027	OIL SEAL (14X28X7) (ARAI)	M	001	91206-286-013	A	JPN	
028	O-RING (9.5X1.7)		001	91259-333-000	A	JPN	
029	GASKET A, OIL STRAINER		001	91303-371-000	A	JPN	
030	O-RING (18X3)	S	001	91306-371-003	A	JPN	
030	O-RING (17.7X2.7)		001	91306-371-013	A	JPN	
031	O-RING (25.4X2.4)		001	91307-703-000	A	JPN	
032	O-RING (27X2.7)		001	91318-500-000	A	JPN	
033	O-RING (13X2.5)		001	91319-300-000	A	JPN	
034	O-RING (17X2.5)	S	001	91333-567-010	A	JPN	
034	O-RING (17.0X2.5) (ARAI)		001	91333-KE5-003	A	JPN	
035	O-RING (7.8X1.9) (NOK)		002	91352-SA5-952	A	JPN	
035	O-RING (8X1.9)	S	002	91361-706-000	A	JPN	
036	BOLT, HEX. (6X16)	S	001	92000-06016	A	JPN	
036	BOLT, HEX. (6X16)	S	001	92000-06016-0A	A	JPN	
036	BOLT, HEX. (6X16)	S	001	92000-06016-1A	A	JPN	
036	BOLT, HEX. (6X16)	S	001	92100-06016-0A	A	JPN	
036	BOLT, HEX. (6X16)		001	92101-06016-0A	A	JPN	
036	BOLT, HEX. (6X16)	S	001	92200-06016-0A	A	JPN	
037	SCREW, PAN (6X20)	Z	004	93500-06020	A	JPN	
037	SCREW, PAN (6X20)		004	93500-06020-0A	A	JPN	
038	SCREW, TAPPING (3X8)	X	003	93901-12110	A	JPN	
039	PIN A, DOWEL (8X14)		004	94301-08140	A	JPN	
040	PIN A, DOWEL (12X20)		007	94301-12200	A	JPN	
041	BOLT, FLANGE (6X16)	S	002	95700-06016-00	A	JPN	
041	BOLT, FLANGE (6X16)		002	95701-06016-00	A	JPN	
042	BOLT, FLANGE (6X35)	S	008	95700-06035-00	A	JPN	
042	BOLT, FLANGE (6X35)		008	95701-06035-00	A	JPN	
043	BOLT, FLANGE (6X110)	S	006	95700-06110-00	A	JPN	
043	BOLT, FLANGE (6X110)		006	95701-06110-00	A	JPN	
044	BOLT, FLANGE (8X70)	S	001	95700-08070-00	A	JPN	
044	BOLT, FLANGE (8X70)		001	95701-08070-00	A	JPN	

American Honda Motor Co., Inc.

Illustration: PISTON (E 19)
MOTORCYCLE, GOLD WING, GL1000, 1978



PROGRAMS AND DATA ARE THE PROPERTY OF AMERICAN HONDA MOTOR CO., INC.

Parts List

Ref.	Part Description	M...	Qty.	Part Number	Area	Origin	Label
001	RING SET, PISTON (STD) (NIPPON)	S	004	13011-371-013	A	JPN	
001	RING SET, PISTON (STD) (NIPPON)		004	13011-371-014	A	JPN	
001	RING SET, PISTON (OS 0.25)	S	(4)	13021-371-013	A	JPN	
001	RING SET, PISTON (OS 0.25)	X	(4)	13021-371-014	A	JPN	
001	RING SET, PISTON (OS 0.50)	S	(4)	13031-371-013	A	JPN	
001	RING SET, PISTON (0.75) (NIPPON)	S	(4)	13041-371-013	A	JPN	
001	RING SET, PISTON (0.75) (NIPPON)	X	(4)	13041-371-014	A	JPN	
001	RING SET, PISTON (1.00) (NIPPON)	Z	(4)	13051-371-013	A	JPN	
001	RING SET, PISTON (1.00) (NIPPON)	X	(4)	13051-371-014	A	JPN	
002	PISTON (STD)	D	004	13101-371-000	A	JPN	
002	PISTON (OS 0.25)	X	(4)	13102-371-000	A	JPN	
002	PISTON (OS 0.50)	X	(4)	13103-371-000	A	JPN	
002	PISTON (0.75)	X	(4)	13104-371-000	A	JPN	
002	PISTON (1.00)	W	(4)	13105-371-000	A	JPN	
003	PIN, PISTON	S	004	13111-634-000	A	JPN	
003	PIN, PISTON	D	004	4000762- 13111-657-000	A	JPN	
003	PIN, PISTON	S	004	4000762- 13112-431-000	A	JPN	
003	PIN, PISTON		004	4000762- 13112-634-000	A	JPN	
003	PIN, PISTON		004	4000762- 13112-634-000	A	JPN	
004	BOLT, CONNECTING ROD	X	008	13204-371-000	A	JPN	
005	NUT, CONNECTING ROD		008	13205-634-010	A	JPN	

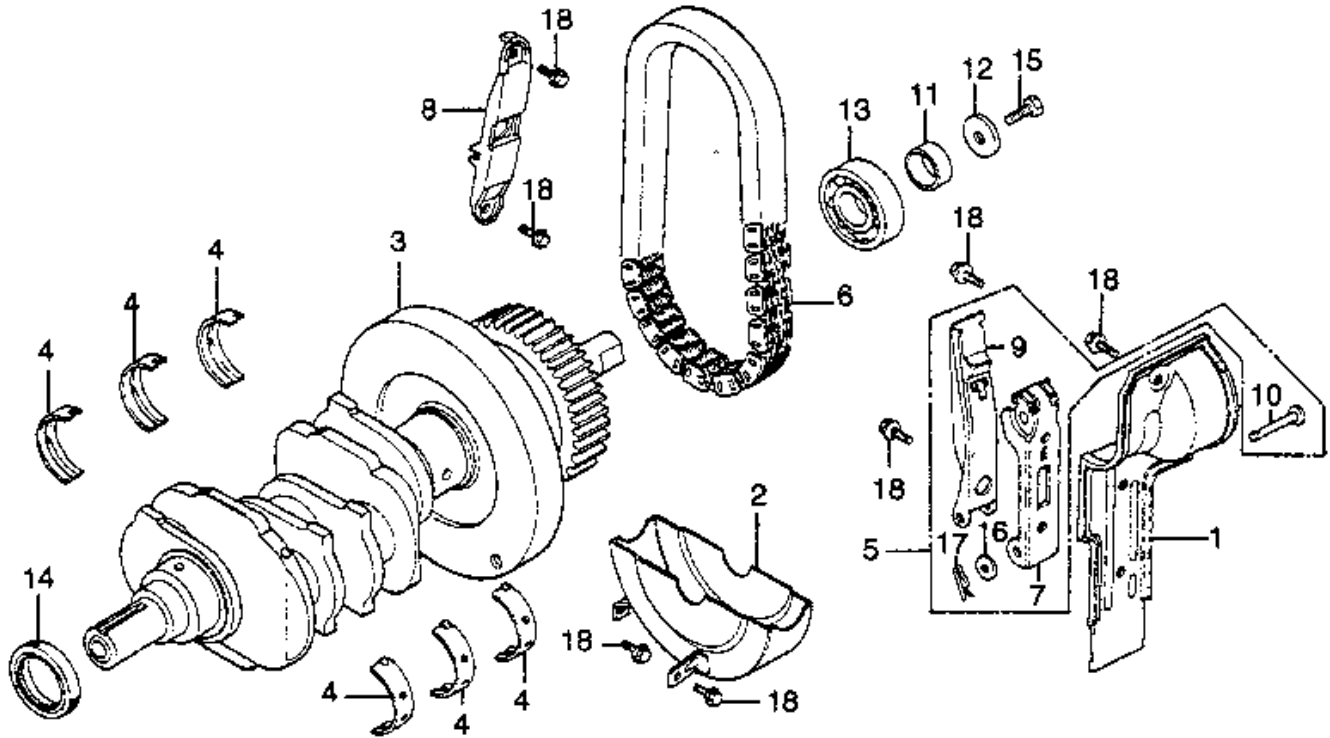
American Honda Motor Co., Inc.

Illustration: PISTON (E 19)
MOTORCYCLE, GOLD WING, GL1000, 1978

Ref.	Part Description	M...	Qty.	Part Number	Area	Origin	Label
006	ROD, CONNECTING		004	13210-371-000	A	JPN	
007	BEARING A, CONNECTING ROD (2&W		004	13215-371-003	A	JPN	
007	BEARING B, CONNECTING ROD (2&W		004	13216-371-003	A	JPN	
007	BEARING C, CONNECTING ROD		004	13217-371-003	A	JPN	
007	BEARING D, CONNECTING ROD		004	13218-371-003	A	JPN	
007	BEARING E, CONNECTING ROD (2&W		004	13219-371-003	A	JPN	
008	BEARING A, CONNECTING ROD (1&X		004	13221-371-003	A	JPN	
008	BEARING B, CONNECTING ROD (1&		004	13222-371-003	A	JPN	
008	BEARING C, CONNECTING ROD		004	13223-371-003	A	JPN	
008	BEARING D, CONNECTING ROD W		004	13224-371-003	A	JPN	
008	BEARING E, CONNECTING ROD (1&		004	13225-371-003	A	JPN	

American Honda Motor Co., Inc.

Illustration: CRANKSHAFT (E 20)
MOTORCYCLE, GOLD WING, GL1000, 1978



PROGRAMS AND DATA ARE THE PROPERTY OF AMERICAN HONDA MOTOR CO., INC.

Parts List

Ref.	Part Description	M...	Qty.	Part Number	Area	Origin	Label
001	PLATE, BREATHER	W	001	11130-371-000	A	JPN	
002	COVER, OIL SEPARATE		001	11140-431-000	A	JPN	
003	CRANKSHAFT	S	001	13310-431-000	A	JPN	
				-4010462			
003	CRANKSHAFT	X	001	13310-431-010	A	JPN	
004	BEARING A, MAIN (BLUE)		006	13321-371-003	A	JPN	
004	BEARING B, MAIN (BLACK)		006	13322-371-003	A	JPN	
004	BEARING C, MAIN (BROWN)		006	13323-371-003	A	JPN	
004	BEARING D, MAIN (GREEN)		006	13324-371-003	A	JPN	
004	BEARING E, MAIN (YELLOW)		006	13325-371-003	A	JPN	
005	TENSIONER ASSY., PRIMARY CHAIN W		001	23130-431-000	A	JPN	
006	CHAIN, PRIMARY DRIVE	X	001	23131-371-004	A	JPN	
007	BRACKET, CHAIN GUIDE	X	001	23132-431-000	A	JPN	
008	GUIDE, R. PRIMARY CHAIN	X	001	23136-371-003	A	JPN	
009	TENSIONER, PRIMARY CHAIN	X	001	23137-431-000	A	JPN	
010	PIN (8X44)	X	001	23138-431-000	A	JPN	
011	COLLAR, RR. END		001	90402-431-000	A	JPN	
012	WASHER, SPECIAL (28X8.5X4.0)		001	90435-611-000	A	JPN	
013	BEARING, BALL (6304C) (KOYO)	Z	001	91002-371-004	A	JPN	
013	BEARING, RADIAL BALL (20X52X15)		001	91003-MG8-003	A	JPN	

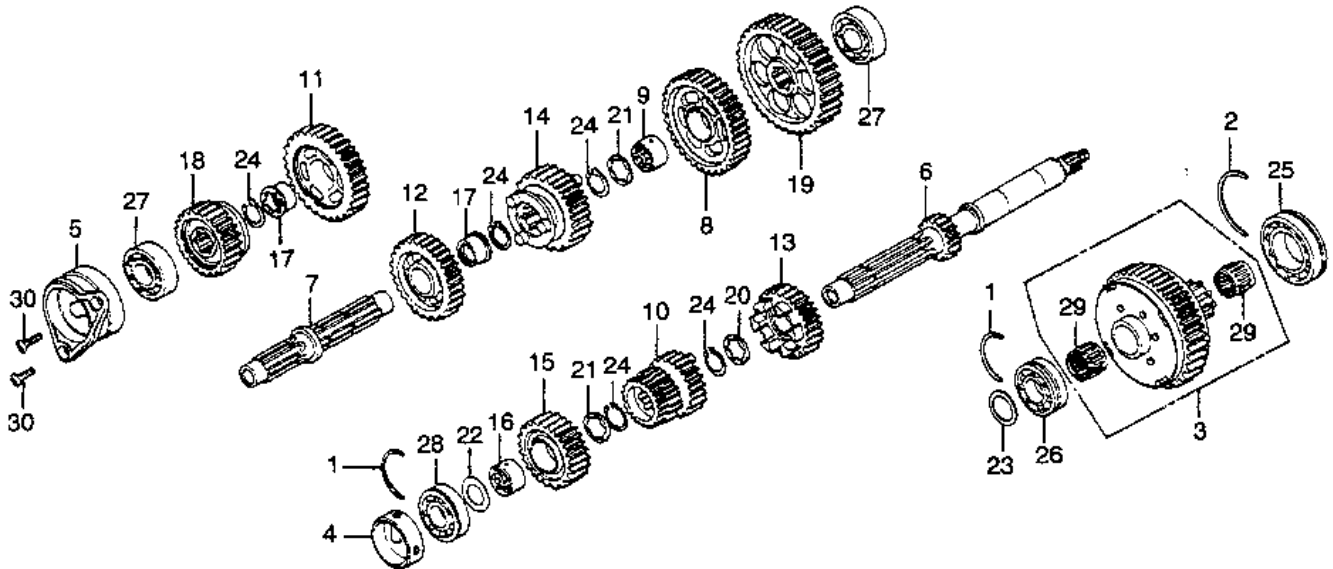
American Honda Motor Co., Inc.

Illustration: CRANKSHAFT (E 20)
MOTORCYCLE, GOLD WING, GL1000, 1978

Ref.	Part Description	M...	Qty.	Part Number	Area	Origin	Label
014	OIL SEAL (35X55X8)		001	91201-371-005	A	JPN	
015	BOLT, HEX. (8X22)	S	001	92000-08022-0A	A	JPN	
015	BOLT, HEX. (8X22)		001	92101-08022-0A	A	JPN	
016	WASHER, PLAIN (8MM)		001	94101-08800	A	JPN	
017	PIN, LOCK (8MM)		001	94251-08000	A	JPN	
018	BOLT, FLANGE (6X16)	S	008	95700-06016-00	A	JPN	
018	BOLT, FLANGE (6X16)		008	95701-06016-00	A	JPN	

American Honda Motor Co., Inc.

Illustration: TRANSMISSION (E 21)
MOTORCYCLE, GOLD WING, GL1000, 1978



PROGRAMS AND DATA ARE THE PROPERTY OF AMERICAN HONDA MOTOR CO., INC.

Parts List

Ref.	Part Description	M...	Qty.	Part Number	Area	Origin	Label
001	RING A, BALL BEARING SETTING	X	002	13495-300-000	A	JPN	
002	RING B, BALL BEARING SETTING		001	13496-300-000	A	JPN	
003	SPROCKET, PRIMARY DRIVEN	X	001	23110-371-000	A	JPN	
004	PASSAGE, MAINSHAFT OIL	X	001	23141-371-000	A	JPN	
005	HOLDER C, BEARING	S	001	23151-431-000	A	JPN	
005	HOLDER C, BEARING	S	001	23151-431-010	A	JPN	
005	HOLDER C, BEARING	X	001	23151-431-020	A	JPN	
006	MAINSHAFT, TRANSMISSION (18T)	X	001	23210-371-000	A	JPN	
007	COUNTERSHAFT, TRANSMISSION	X	001	23220-431-000	A	JPN	
008	GEAR, COUNTERSHAFT LOW (45T)	W	001	23421-300-050	A	JPN	
009	BUSH (29X14)	X	001	23425-300-010	A	JPN	
010	GEAR, MAINSHAFT SECOND &	W	001	23431-371-000	A	JPN	
011	GEAR, COUNTERSHAFT SECOND	X	001	23441-431-000	A	JPN	
012	GEAR, COUNTERSHAFT THIRD		001	23451-431-000	A	JPN	
013	GEAR, MAINSHAFT FOURTH (31T)	X	001	23460-371-000	A	JPN	
014	GEAR, COUNTERSHAFT FOURTH	X	001	23471-371-000	A	JPN	
015	GEAR, MAINSHAFT TOP (33T)	D	001	23481-371-000	A	JPN	
016	BUSH (28X20.5)	S	001	23485-300-020	A	JPN	
017	BUSH (28MM)	X	002	23485-410-003	A	JPN	
018	GEAR, COUNTERSHAFT TOP (31T)		001	23491-371-000	A	JPN	
019	GEAR, FINAL DRIVE (40T)	X	001	23501-371-000	A	JPN	
020	WASHER, THRUST (25MM)	S	001	90451-371-000	A	JPN	
020	WASHER, THRUST (25MM)		001	90451-MB2-000	A	JPN	
021	WASHER, THRUST (25X34)		002	90452-371-000	A	JPN	
022	WASHER, THRUST (20MM)		001	90458-292-000	A	JPN	

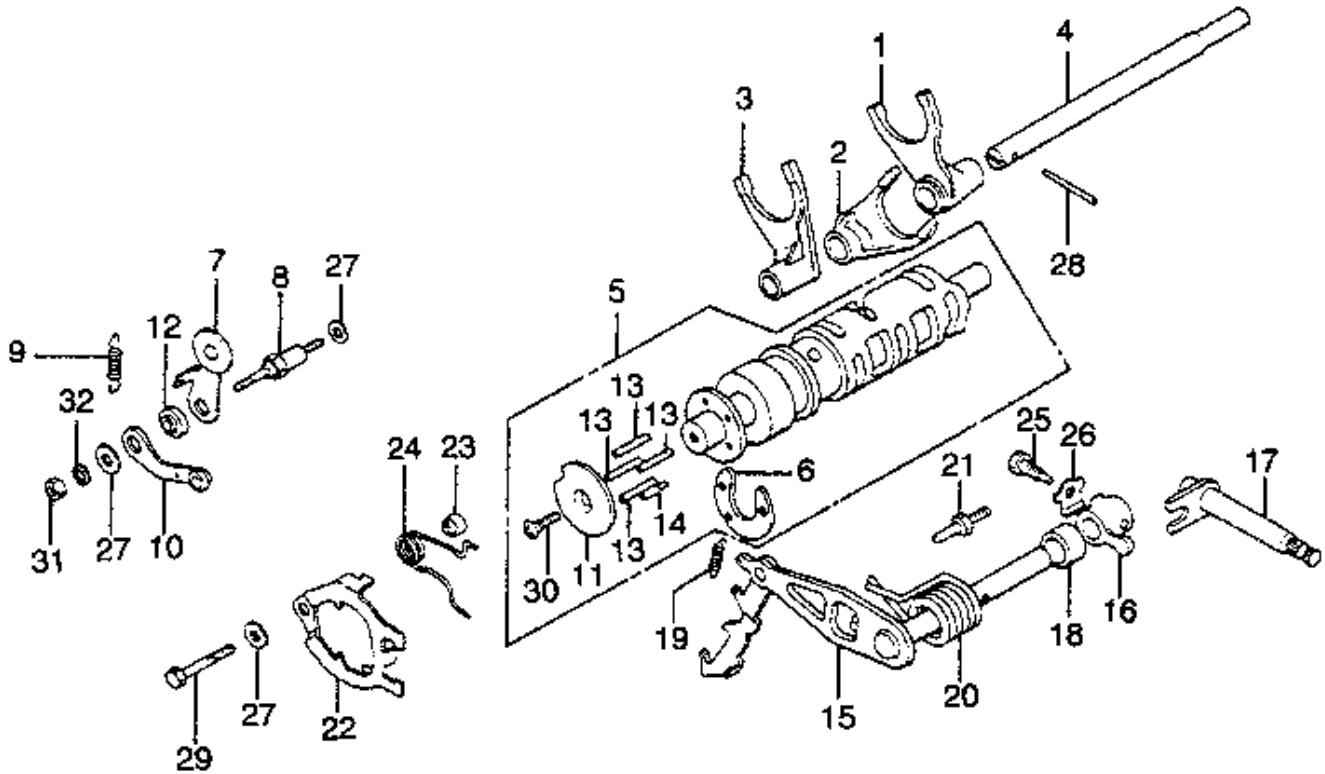
American Honda Motor Co., Inc.

Illustration: TRANSMISSION (E 21)
MOTORCYCLE, GOLD WING, GL1000, 1978

Ref.	Part Description	M...	Qty.	Part Number	Area	Origin	Label
023	WASHER A, THRUST (25MM)	X	001	90458-506-810	A	JPN	
024	CIRCLIP (OUTER) (25MM)		005	90601-300-000	A	JPN	
025	BEARING, SPECIAL BALL (6008)	S	001	91001-371-008	A	JPN	
026	BEARING, SPECIAL BALL (6205)	S	001	91002-300-008	A	JPN	
027	BEARING, BALL (6304C) (KOYO)	Z	002	91002-371-004	A	JPN	
027	BEARING, RADIAL BALL (20X52X15)		002	91003-MG8-003	A	JPN	
028	BEARING, BALL (6304CS) (TOYO)		001	91004-371-008	A	JPN	
029	BEARING, NEEDLE (25X32X20)		002	91010-300-008	A	JPN	
030	SCREW, FLAT (6X20)	Z	002	93600-06020	A	JPN	
030	SCREW, FLAT (6X20)		002	93600-06020-0A	A	JPN	

American Honda Motor Co., Inc.

Illustration: SHIFT DRUM □ SHIFT FORK (E 22)
MOTORCYCLE, GOLD WING, GL1000, 1978



PROGRAMS AND DATA ARE THE PROPERTY OF AMERICAN HONDA MOTOR CO., INC.

Parts List

Ref.	Part Description	M...	Qty.	Part Number	Area	Origin	Label
001	FORK, R. GEARSHIFT	X	001	24211-371-000	A	JPN	
002	FORK, CENTER GEARSHIFT	S	001	24212-371-000	A	JPN	
002	FORK, CENTER GEARSHIFT	S	001	24212-463-000	A	JPN	
002	FORK, CENTER GEARSHIFT		001	24212-MG9-000	A	JPN	
003	FORK, L. GEARSHIFT	Z	001	24213-371-000	A	JPN	
003	FORK, L. GEARSHIFT		001	24213-463-000	A	JPN	
004	SHAFT, GEARSHIFT FORK	X	001	24261-371-000	A	JPN	
005	DRUM ASSY., GEARSHIFT		001	24300-371-010	A	JPN	
006	PLATE, ROLLER STOPPER	X	001	24302-371-000	A	JPN	
007	STOPPER, DRUM		001	24430-371-000	A	JPN	
008	SHAFT, DRUM STOPPER	X	001	24434-371-000	A	JPN	
009	SPRING, DRUM STOPPER	X	001	24435-371-000	A	JPN	
010	ARM, NEUTRAL STOPPER		001	24440-371-000	A	JPN	
011	PLATE, NEUTRAL STOPPER	X	001	24442-371-000	A	JPN	
012	COLLAR, NEUTRAL STOPPER PIVOT	X	001	24447-371-000	A	JPN	
013	ROLLER (4X29.8)	X	004	24501-371-000	A	JPN	
014	ROLLER (4X17.0)	X	001	24502-371-010	A	JPN	
015	ARM, GEARSHIFT	X	001	24610-371-000	A	JPN	
016	ARM B, GEARSHIFT	X	001	24615-371-000	A	JPN	

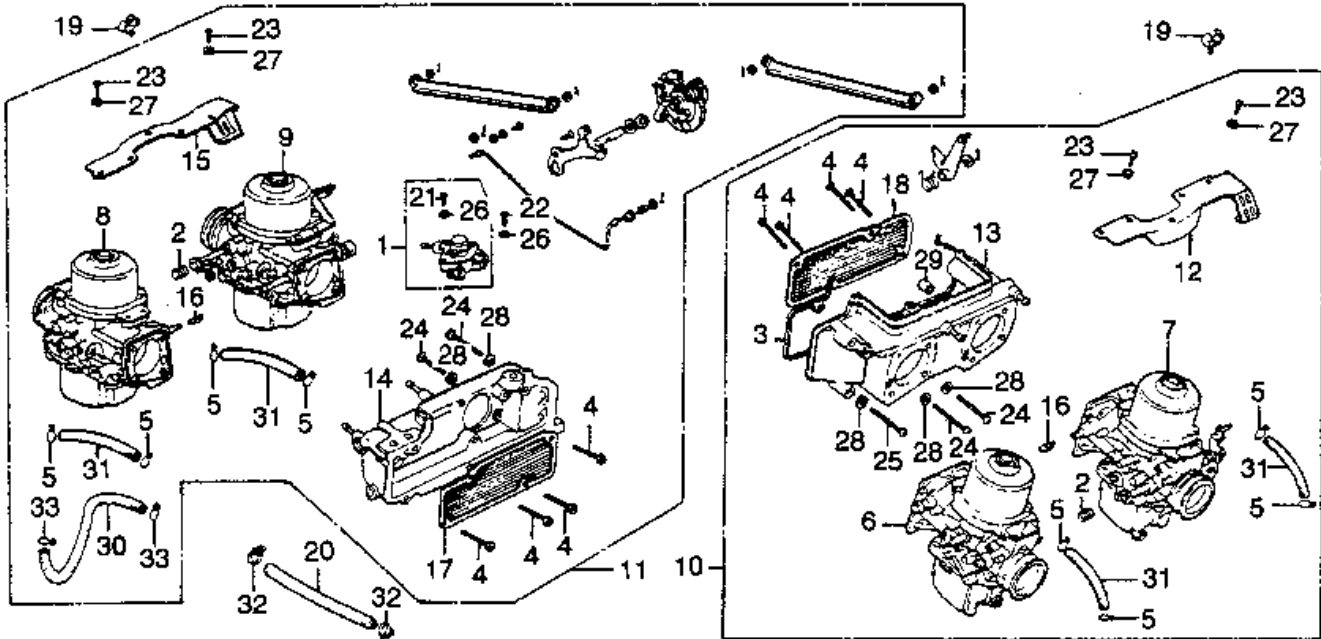
American Honda Motor Co., Inc.

Illustration: SHIFT DRUM □ SHIFT FORK (E 22)
 MOTORCYCLE, GOLD WING, GL1000, 1978

Ref.	Part Description	M...	Qty.	Part Number	Area	Origin	Label
017	SPINDLE, GEARSHIFT	X	001	24620-371-000	A	JPN	
018	COLLAR, GEARSHIFT SPRING	X	001	24624-371-000	A	JPN	
019	SPRING, SHIFT ARM	X	001	24641-371-000	A	JPN	
020	SPRING, SHIFT RETURN		001	24651-371-000	A	JPN	
021	PIN, SHIFT RETURN SPRING	X	001	24652-300-000	A	JPN	
022	STOPPER, GEARSHIFT POSITIVE	X	001	24661-371-000	A	JPN	
023	COLLAR, STOPPER ARM	X	001	24663-300-000	A	JPN	
024	SPRING, POSITIVE STOPPER		001	24666-300-000	A	JPN	
025	BOLT, HEX. (8X24)	S	001	90029-611-000	A	JPN	
025	BOLT, SPECIAL (8X24)	M	001	90029-611-010	A	JPN	
026	WASHER, LOCK (8MM)	Z	001	90406-611-000	A	JPN	
026	WASHER, LOCK		001	90406-PS1-000	A	JPN	
027	WASHER, GEARSHIFT DRUM SIDE		003	90417-041-000	A	JPN	
028	PIN (4X40)	X	001	90705-371-000	A	JPN	
029	BOLT, HEX. (6X25)	S	001	92000-06025	A	JPN	
029	BOLT, HEX. (6X25)		001	92101-06025-0A	A	JPN	
030	SCREW, FLAT (6X22)	X	001	93600-06022	A	JPN	
031	NUT, HEX. (6MM)	M	001	94001-06000-0S	A	JPN	
031	NUT, HEX. (6MM)	M	001	94001-06200-0S	A	JPN	
032	WASHER, SPRING (6MM)		001	94111-06000	A	JPN	

American Honda Motor Co., Inc.

Illustration: CARBURETOR (E 23)
MOTORCYCLE, GOLD WING, GL1000, 1978



PROGRAMS AND DATA ARE THE PROPERTY OF AMERICAN HONDA MOTOR CO., INC.

Parts List

Ref.	Part Description	M...	Qty.	Part Number	Area	Origin	Label
001	VALVE SET, AIR CUT	X	001	16048-371-004	A	JPN	
002	SPRING, COIL	X	002	16051-371-771	A	JPN	
003	GASKET, AIR CHAMBER		001	16075-371-004	A	JPN	
004	BOLT, SPECIAL (6MM)	X	008	16080-371-004	A	JPN	
005	CLIP, TUBE (B10)		008	95002-02100	A	JPN	
006	CARBURETOR ASSY. 1, L.	S	001	16101-431-004	A	JPN	
				-769 A			
006	CARBURETOR ASSY. 1, L.		001	16101-431-014	A	JPN	
				-769 A			
007	CARBURETOR ASSY. 2, L.	S	001	16102-431-004	A	JPN	
				-769 A			
007	CARBURETOR ASSY. 2, L.		001	16102-431-014	A	JPN	
				-769 A			
008	CARBURETOR ASSY. 1, R.	S	001	16103-431-004	A	JPN	
				-769 A			
008	CARBURETOR ASSY. 1, R.	X	001	16103-431-014	A	JPN	
				-769 A			
009	CARBURETOR ASSY. 2, R.	S	001	16104-431-004	A	JPN	
				-769 A			
009	CARBURETOR ASSY. 2, R.	X	001	16104-431-014	A	JPN	
				-769 A			
010	CARBURETOR ASSY., L.	X	001	16105-431-672	A	JPN	
				771 B-			
011	CARBURETOR ASSY., R.	X	001	16106-431-672	A	JPN	
012	PLATE, L. STAY	X	001	16129-371-771	A	JPN	
013	CHAMBER A, AIR		001	16157-371-771	A	JPN	

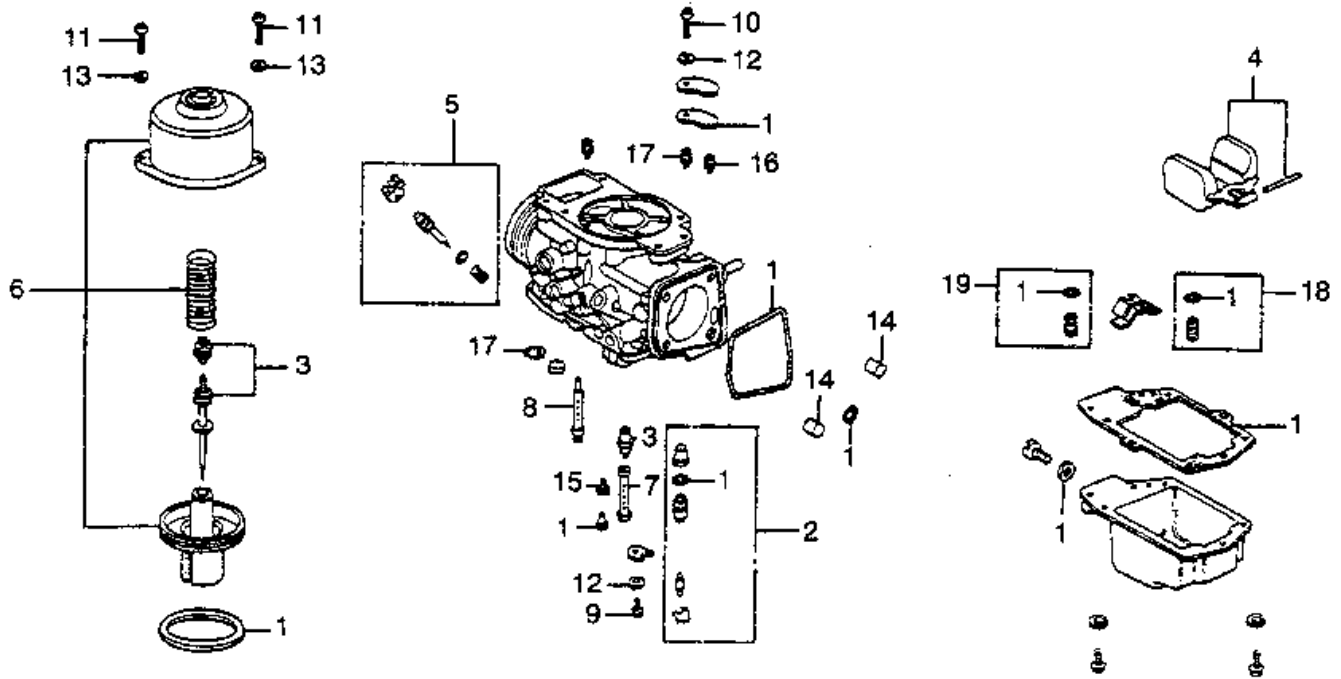
American Honda Motor Co., Inc.

Illustration: CARBURETOR (E 23)
MOTORCYCLE, GOLD WING, GL1000, 1978

Ref.	Part Description	M...	Qty.	Part Number	Area	Origin	Label
014	CHAMBER B, AIR	X	001	16158-371-771	A	JPN	
015	PLATE, R. STAY	X	001	16169-371-771	A	JPN	
016	JOINT, CONNECTOR	X	002	16172-500-014	A	JPN	
017	BODY B, FLAME TRAP	X	001	16196-371-004	A	JPN	
018	BODY A, FLAME TRAP	X	001	16197-371-004	A	JPN	
019	CLAMP, SPARK PLUG WIRE		002	32127-MJ1-670	A	JPN	
019	GROMMET, IGNITION WIRE	S	002	32981-371-000	A	JPN	
020	HOSE, FUEL (5.5X160)	X	001	91320-371-000	A	JPN	
021	SCREW, PAN (4X10)		002	93500-04010-0A	A	JPN	
022	SCREW, PAN (4X18)		002	93500-04018-0A	A	JPN	
023	SCREW, PAN (5X12)		008	93500-05012-0A	A	JPN	
024	SCREW, PAN (6X35)	S	004	93500-06035	A	JPN	
024	SCREW, PAN (6X35)	M	004	93500-06035-0A	A	JPN	
025	SCREW, PAN (6X45)	S	001	93500-06045	A	JPN	
025	SCREW, PAN (6X45)	M	001	93500-06045-0A	A	JPN	
026	WASHER, SPRING (4MM)		004	94111-04000	A	JPN	
027	WASHER, SPRING (5MM)		008	94111-05000	A	JPN	
028	WASHER, SPRING (6MM)		005	94111-06000	A	JPN	
029	PIN A, DOWEL (8X14)		002	94301-08140	A	JPN	
030	BULK HOSE, FUEL (3.5X3000) OEM CUT SIZE: (3.5X210)		001	95001-35003-60M	A	JPN	
031	BULK HOSE, FUEL (5.5X8000) OEM CUT SIZE: (5.5X100)	M	004	95001-55008-60M	A	JPN	
032	CLIP, TUBE (A12)		002	95002-01120	A	JPN	
033	CLIP, TUBE (B7)		002	95002-02070	A	JPN	

American Honda Motor Co., Inc.

Illustration: CARBURETOR COMPONENTS I (E 2301)
MOTORCYCLE, GOLD WING, GL1000, 1978



PROGRAMS AND DATA ARE THE PROPERTY OF AMERICAN HONDA MOTOR CO., INC.

Parts List

Ref.	Part Description	M...	Qty.	Part Number	Area	Origin	Label
001	GASKET SET		004	16010-371-004	A	JPN	
002	VALVE SET, FLOAT	S	004	16011-371-004	A	JPN	
002	VALVE SET, FLOAT	S	004	16011-371-014	A	JPN	
002	VALVE SET, FLOAT		004	16011-371-305	A	JPN	
003	NEEDLE SET, JET	W	004	16012-431-004	A	JPN	
004	FLOAT SET		004	16013-567-004	A	JPN	
005	SCREW SET A	X	004	16016-431-004	A	JPN	
006	PISTON SET, VACUUM	X	004	16022-431-004	A	JPN	
007	HOLDER, NEEDLE JET	X	004	16165-371-770	A	JPN	
008	NOZZLE, MAIN	X	004	16166-371-770	A	JPN	
009	SCREW, PAN (4X8)		004	93500-04008-0A	A	JPN	
010	SCREW, PAN (4X14)		004	93500-04014-0A	A	JPN	
011	SCREW, PAN (5X16)		008	93500-05016-0A	A	JPN	
012	WASHER, SPRING (4MM)		008	94111-04000	A	JPN	
013	WASHER, SPRING (5MM)		008	94111-05000	A	JPN	
014	PIN C, DOWEL (4X6.5)		008	94303-04065	A	JPN	
015	JET, SLOW (#35)		004	99103-611-0350	A	JPN	
016	JET, SECONDARY AIR (#60)		004	99164-601-0600	A	JPN	
017	JET, PRIMARY AIR (#120)	X	004	99164-601-1200	A	JPN	
				-769 A			
018	JET SET, MAIN (#60)		004	99201-601-0600	A	JPN	
019	JET SET, SECONDARY MAIN (#120)		004	99202-601-1200	A	JPN	

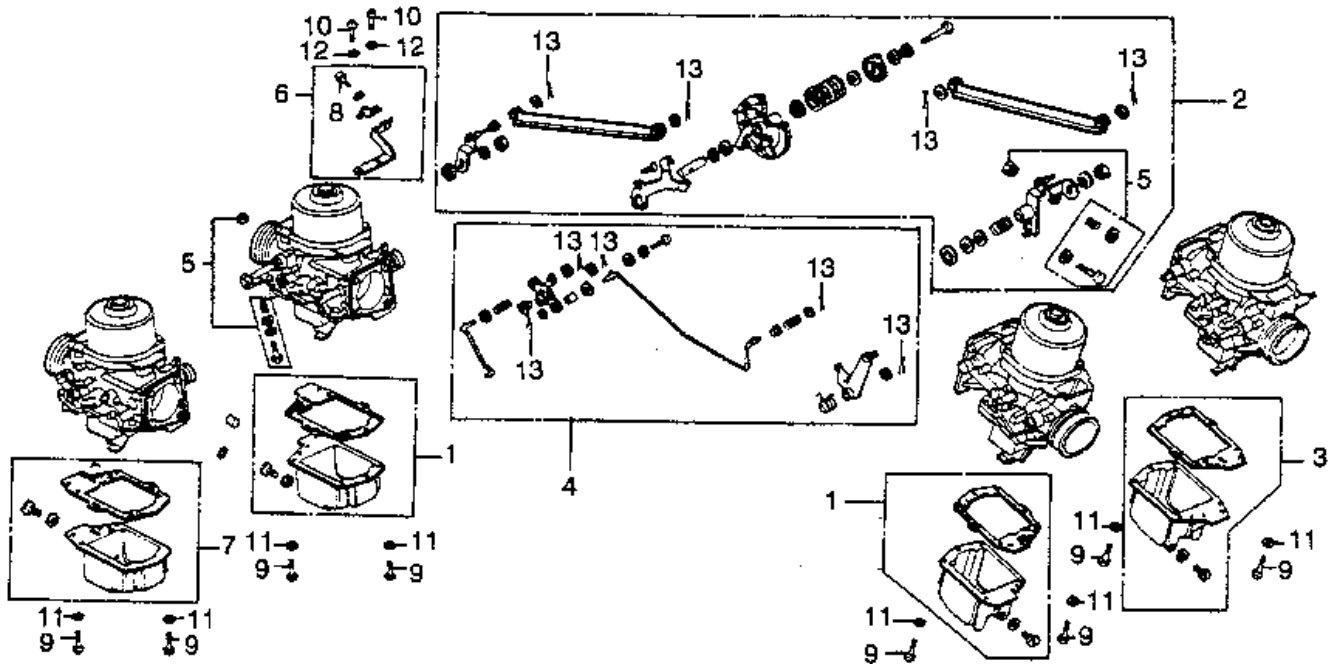
American Honda Motor Co., Inc.

Illustration: CARBURETOR COMPONENTS I (E 2301)
MOTORCYCLE, GOLD WING, GL1000, 1978

Ref.	Part Description	M...	Qty.	Part Number	Area	Origin	Label
NI	JET, SLOW AIR (#130)	X	004	99164-601-1300 771 A-	A	JPN	

American Honda Motor Co., Inc.

Illustration: CARBURETOR COMPONENTS II (E 2302)
MOTORCYCLE, GOLD WING, GL1000, 1978



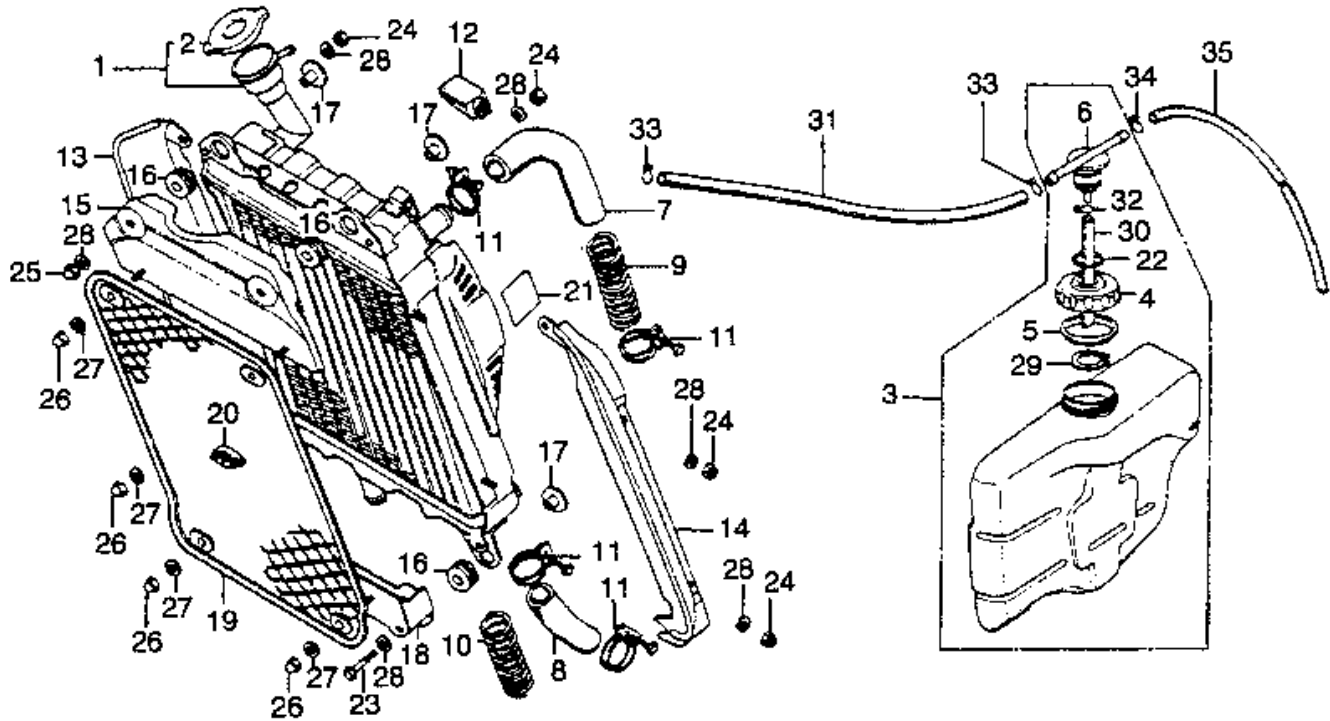
PROGRAMS AND DATA ARE THE PROPERTY OF AMERICAN HONDA MOTOR CO., INC.

Parts List

Ref.	Part Description	M...	Qty.	Part Number	Area	Origin	Label
001	CHAMBER SET A, FLOAT	X	002	16015-371-004	A	JPN	
002	LINK SET		001	16017-371-771	A	JPN	
003	CHAMBER SET B, FLOAT	X	001	16023-371-004	A	JPN	
004	ROD SET, CHOKE	X	001	16025-371-771	A	JPN	
005	SCREW SET B	W	004	16028-371-004	A	JPN	
006	PLATE SET, STAY	X	001	16035-371-004	A	JPN	
007	CHAMBER SET C, FLOAT	X	001	16045-371-004	A	JPN	
008	SCREW, PAN (4X10)		001	93500-04010-0A	A	JPN	
009	SCREW, PAN (4X14)		016	93500-04014-0A	A	JPN	
010	SCREW, PAN (5X12)		002	93500-05012-0A	A	JPN	
011	WASHER, SPRING (4MM)		016	94111-04000	A	JPN	
012	WASHER, SPRING (5MM)		002	94111-05000	A	JPN	
013	PIN, COTTER (1.0MM)	S	009	94201-10080	A	JPN	
013	PIN, COTTER (1.0MM)	S	009	94201-10100	A	JPN	
013	PIN, SPLIT (1.0MM)		009	94201-10150	A	JPN	

American Honda Motor Co., Inc.

Illustration: RADIATOR □ RESERVE TANK (F 01)
MOTORCYCLE, GOLD WING, GL1000, 1978



PROGRAMS AND DATA ARE THE PROPERTY OF AMERICAN HONDA MOTOR CO., INC.

Parts List

Ref.	Part Description	M...	Qty.	Part Number	Area	Origin	Label
001	RADIATOR (DENSO)	S	001	19010-371-003	A	JPN	
002	CAP, RADIATOR FILLER	S	001	19045-634-003	A	JPN	
002	CAP, RADIATOR (DENSO)		001	19045-692-003	A	JPN	
002	CAP, RADIATOR (TOYO)	S	001	19045-PA0-014	A	JPN	
003	TANK ASSY., RESERVE	X	001	19101-431-670	A	JPN	
004	CAP, RESERVE TANK	X	001	19104-371-000	A	JPN	
005	GASKET, RESERVE TANK	X	001	19105-371-000	A	JPN	
006	JOINT, RESERVE TANK	X	001	19107-371-000	A	JPN	
007	HOSE, WATER (UPPER)		001	19501-431-000	A	JPN	
008	HOSE, WATER (LOWER)		001	19502-431-000	A	JPN	
009	GUARD A, WIRE	S	001	19511-371-000	A	JPN	
010	GUARD B, WIRE	S	001	19512-371-000	A	JPN	
011	BAND A, HOSE		004	19515-431-003	A	JPN	
012	COVER, HOSE BAND		001	19519-431-000	A	JPN	
013	COVER, R. RADIATOR *R7CC* (CANDY LIMITED MAROON)	X	001	85103-431-670ZA	A	JPN	
013	COVER, R. RADIATOR *PB102CS* (CANDY GRANDEUR BLUE)	X	001	85103-431-670ZB	A	JPN	
013	COVER, R. RADIATOR *NH1* (BLACK)	X	001	85103-431-670ZC	A	JPN	
014	COVER, L. RADIATOR *R7CC* (CANDY LIMITED MAROON)	X	001	85123-431-670ZA	A	JPN	

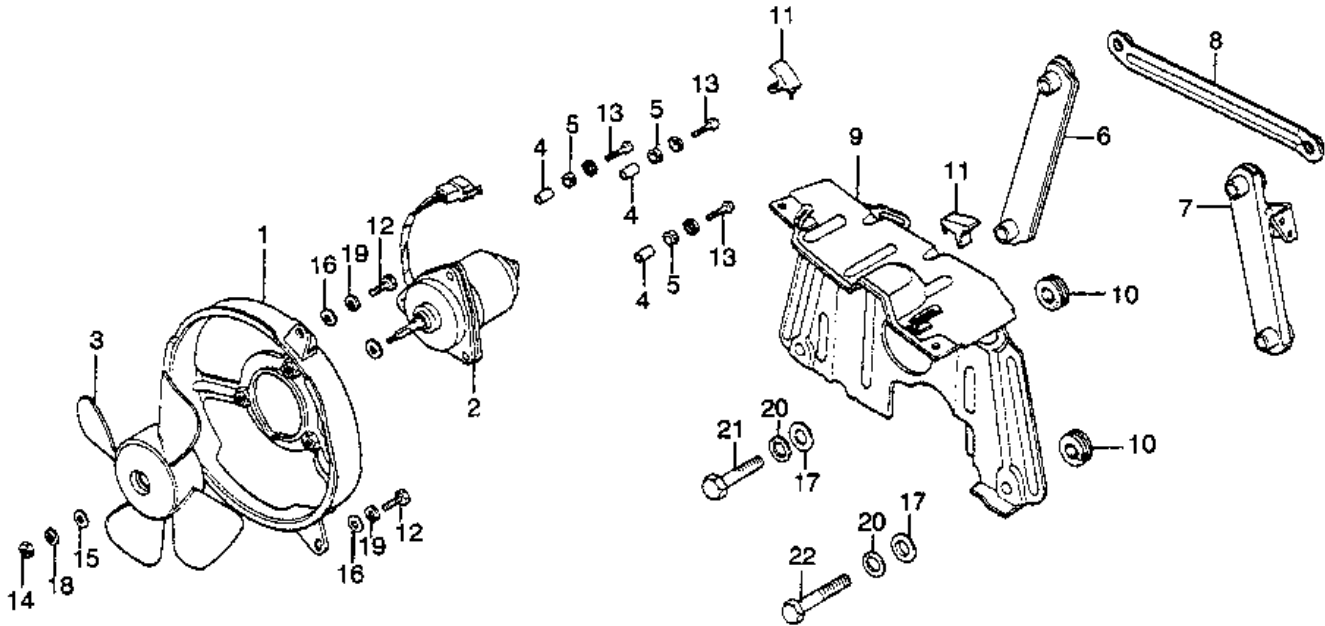
American Honda Motor Co., Inc.

Illustration: RADIATOR □ RESERVE TANK (F 01)
MOTORCYCLE, GOLD WING, GL1000, 1978

Ref.	Part Description	M...	Qty.	Part Number	Area	Origin	Label
014	COVER, L. RADIATOR *PB102CS* (CANDY GRANDEUR BLUE)	X	001	85123-431-670ZB	A	JPN	
014	COVER, L. RADIATOR *NH1* (BLACK)	X	001	85123-431-670ZC	A	JPN	
015	COVER, RADIATOR (UPPER)	S	001	85200-371-000	A	JPN	
015	COVER, RADIATOR (UPPER)	X	001	85200-371-980	A	JPN	
016	RUBBER, RADIATOR SETTING	X	004	85201-371-000	A	JPN	
017	COLLAR, RADIATOR SETTING	X	004	85202-371-000	A	JPN	
018	COVER, RADIATOR (LOWER)	X	001	85300-371-000	A	JPN	
019	GRILLE, RADIATOR	X	001	85400-371-000	A	JPN	
020	GROMMET, RADIATOR GRILLE	X	001	85401-371-000	A	JPN	
021	LABEL, SHROUD FAN		001	87509-371-670	A	JPN	
022	O-RING (15X2.5)	Z	001	91302-028-000	A	JPN	
023	BOLT, HEX. (6X25)	S	002	92000-06025-07	A	JPN	
023	BOLT, HEX. (6X25)	S	002	92000-06025-0G	A	JPN	
023	BOLT, HEX. (6X25)		002	92101-06025-0G	A	JPN	
024	NUT, HEX. (6MM)	S	008	94002-06070	A	JPN	
024	NUT, HEX. (6MM)		008	94002-06070-0S	A	JPN	
024	NUT, HEX. (6MM)	S	008	94002-06270-0S	A	JPN	
025	NUT, CAP (6MM)	S	002	90301-KW8-900	A	JPN	
025	NUT, CAP (6MM)	S	002	94021-06070	A	JPN	
025	NUT, CAP (6MM)		002	94021-06070-0S	A	JPN	
026	NUT, CAP (6MM)	S	004	94021-06220	A	JPN	
026	NUT, CAP (6MM)		004	94021-06220-0S	A	JPN	
027	WASHER, PLAIN (6MM)		004	94101-06200	A	JPN	
028	WASHER, PLAIN (6MM)		010	94101-06700	A	JPN	
029	CIRCLIP (OUTER) (18MM)	X	001	94511-18000	A	JPN	
030	BULK HOSE, FUEL (7.5X8000) OEM CUT SIZE: (7.5X110)		001	95001-75008-60M	A	JPN	
031	BULK HOSE, FUEL (8X1000) OEM CUT SIZE: (8X300)		001	95001-80001-60M	A	JPN	
032	CLIP, TUBE (B12)	M	001	95002-02120	A	JPN	
033	CLIP, TUBE (B12.5)		002	95002-02130	A	JPN	
034	CLIP, TUBE (C9)		001	95002-50000	A	JPN	
035	BULK HOSE, VINYL (6X9X1000) OEM CUT SIZE: (6X9X1030)		001	95003-14001-10M	A	JPN	

American Honda Motor Co., Inc.

Illustration: RADIATOR FAN □ SHROUD (F 02)
MOTORCYCLE, GOLD WING, GL1000, 1978



PROGRAMS AND DATA ARE THE PROPERTY OF AMERICAN HONDA MOTOR CO., INC.

Parts List

Ref.	Part Description	M...	Qty.	Part Number	Area	Origin	Label
001	SHROUD (DENSO)	X	001	19020-371-003	A	JPN	
002	MOTOR, FAN	S	001	19030-634-003	A	JPN	
003	FAN, COOLING (DENSO)	X	001	19040-371-003	A	JPN	
004	BUSH (DENSO)	S	003	19040-611-003	A	JPN	
004	COLLAR (DENSO)	M	003	N949194-0040	A	JPN	
005	RUBBER, BUSHING (DENSO)	M	003	19041-611-003	A	JPN	
006	ROD, TORQUE	S	001	50353-371-010	A	JPN	
006	ROD, TORQUE *NH1* (BLACK)	X	001	50353-371-010ZA	A	JPN	
007	ROD, L. TORQUE		001	50353-431-670	A	JPN	
008	BAR, CROSS	X	001	50361-371-000	A	JPN	
009	SHROUD *NH1* (BLACK)	X	001	62401-431-670ZA	A	JPN	
010	RUBBER, SHROUD SETTING	X	004	62403-371-000	A	JPN	
011	RUBBER, SHROUD MOUNT	X	002	62405-371-000	A	JPN	
012	BOLT, HEX. (6X10)	S	003	92000-06010-08	A	JPN	
012	BOLT, HEX. (6X10)	S	003	92000-06010-0H	A	JPN	
012	BOLT, HEX. (6X10)	W	003	92101-06010-0H	A	JPN	
013	SCREW, PAN (4X18)		003	93500-04018-0H	A	JPN	
014	NUT, HEX. (5MM)	M	001	94001-05080-0S	A	JPN	
015	WASHER, PLAIN (5MM)		001	94101-05800	A	JPN	
016	WASHER, PLAIN (6MM)		003	94101-06800	A	JPN	
017	WASHER, PLAIN (10MM)		004	94101-10000	A	JPN	
018	WASHER, SPRING (5MM)		001	94111-05800	A	JPN	

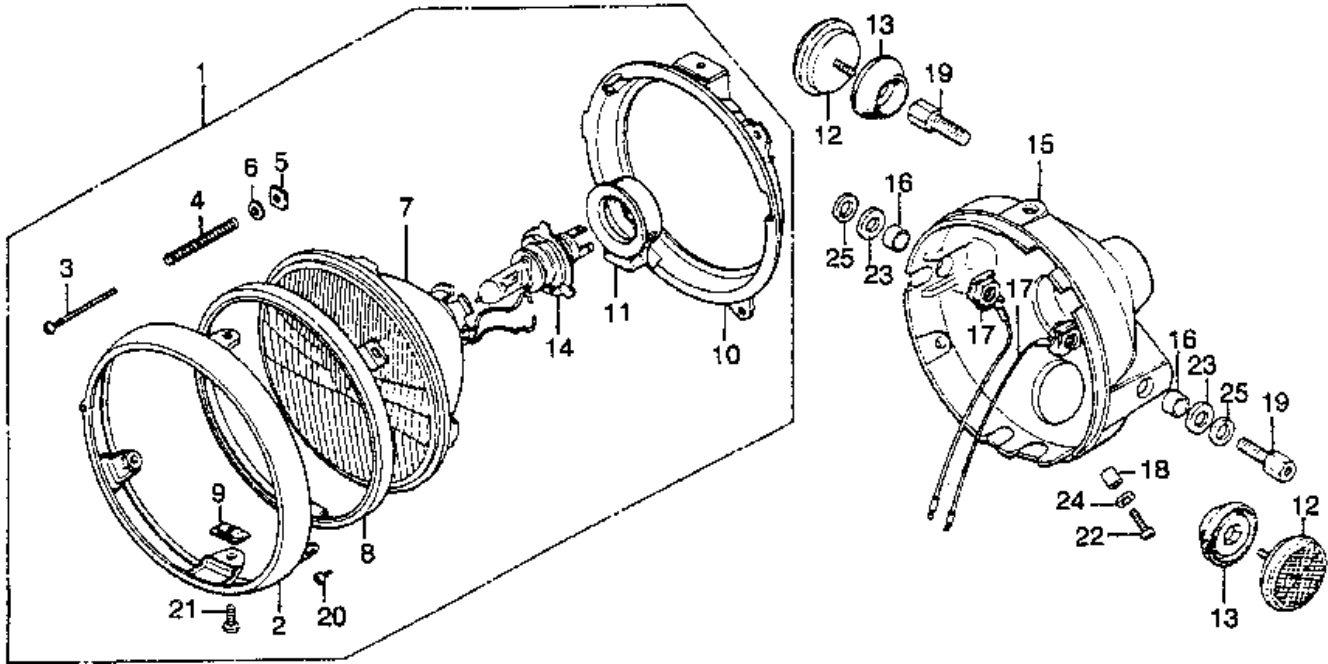
American Honda Motor Co., Inc.

Illustration: RADIATOR FAN □ SHROUD (F 02)
MOTORCYCLE, GOLD WING, GL1000, 1978

Ref.	Part Description	M...	Qty.	Part Number	Area	Origin	Label
019	WASHER, SPRING (6MM)		003	94111-06800	A	JPN	
020	WASHER, SPRING (8MM)		004	94111-10000	A	JPN	
021	BOLT, HEX. (10X45)	S	002	95300-10045	A	JPN	
021	BOLT, HEX. (10X45)	X	002	95300-10045-00	A	JPN	
022	BOLT, HEX. (10X50)	S	002	95325-10050	A	JPN	
022	BOLT, HEX. (10X50)	X	002	95325-10050-00	A	JPN	

American Honda Motor Co., Inc.

Illustration: HEADLIGHT (F 03)
MOTORCYCLE, GOLD WING, GL1000, 1978



PROGRAMS AND DATA ARE THE PROPERTY OF AMERICAN HONDA MOTOR CO., INC.

Parts List

Ref.	Part Description	M...	Qty.	Part Number	Area	Origin	Label
001	HEADLIGHT ASSY.	X	001	33100-431-671	A	JPN	
002	RIM, HEADLIGHT		001	33101-405-671	A	JPN	
003	SCREW, BEAM ADJUSTING		001	33103-346-670	A	JPN	
004	SPRING, HEADLIGHT BEAM		001	33107-300-003	A	JPN	
005	NUT, HEADLIGHT BEAM ADJ.		001	33117-001-023	A	JPN	
006	WASHER, BEAM ADJUSTING		001	33119-371-003	A	JPN	
007	HEADLIGHT UNIT		001	33120-431-671	A	JPN	
008	RING, RETAINING		001	33121-405-671	A	JPN	
009	NUT, UNIT HOLDER		002	33128-292-670	A	JPN	
010	RING, SETTING	X	001	33153-375-671	A	JPN	
011	COVER, BULB	X	001	33180-371-601	A	JPN	
012	REFLECTOR, FR. REFLEX		002	33741-340-670	A	JPN	
013	BASE, FR. REFLECTOR		002	33743-375-000	A	JPN	
014	BULB (12V60/55W) (H4)	S	001	34901-371-601	A	JPN	
014	BULB, HEADLIGHT (H4 JA12V60/55W S		001	34901-MC7-601	A	JPN	
014	BULB (12V60/55W) (H4) (HALOGEN)		001	34901-MC7-601AH	A	JPN	
015	CASE, HEADLIGHT *NH1* (STANLEY, X (BLACK)		001	61301-375-003B	A	JPN	
016	COLLAR, HEADLIGHT CASE		002	61302-300-000	A	JPN	
017	WASHER, HEADLIGHT CASE		002	61303-336-000	A	JPN	
018	COLLAR, HEADLIGHT SETTING		003	61304-292-000	A	JPN	
019	BOLT, HEADLIGHT STAY	X	002	90120-377-000	A	JPN	

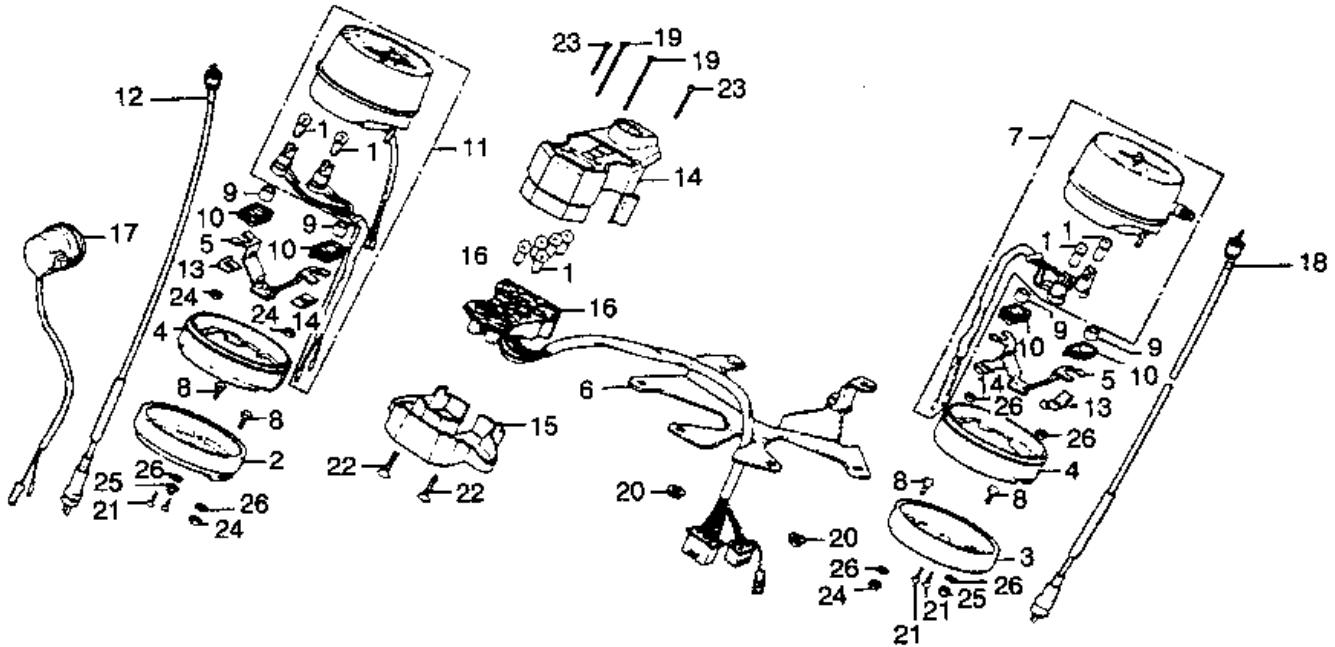
American Honda Motor Co., Inc.

Illustration: HEADLIGHT (F 03)
MOTORCYCLE, GOLD WING, GL1000, 1978

Ref.	Part Description	M...	Qty.	Part Number	Area	Origin	Label
020	SCREW, PAN (3X8)		002	93500-03008-0A	A	JPN	
020	SCREW, PAN (3X8)	S	002	93500-03008-1A	A	JPN	
021	SCREW, PAN (5X8)	M	002	93500-05008-0H	A	JPN	
022	SCREW, PAN (5X20)		003	93500-05020-0B	A	JPN	
023	WASHER, PLAIN (10MM)		002	94101-10200	A	JPN	
024	WASHER, SPRING (5MM)		003	94111-05000	A	JPN	
025	WASHER, SPRING (8MM)		002	94111-10000	A	JPN	

American Honda Motor Co., Inc.

Illustration: SPEEDOMETER □ TACHOMETER (F 04)
MOTORCYCLE, GOLD WING, GL1000, 1978



PROGRAMS AND DATA ARE THE PROPERTY OF AMERICAN HONDA MOTOR CO., INC.

Parts List

Ref.	Part Description	M...	Qty.	Part Number	Area	Origin	Label
001	BULB, DASH (12V3.4W) (IMASEN)		009	34902-259-000	A	JPN	
002	RING, R. METER SETTING	X	001	37111-371-008	A	JPN	
003	RING, L. METER SETTING	X	001	37112-371-008	A	JPN	
004	CUSHION, METER SETTING	X	002	37115-371-000	A	JPN	
005	PLATE, METER RING SETTING		002	37116-371-000	A	JPN	
006	STAY, METER SETTING		001	37120-431-000	A	JPN	
007	SPEEDOMETER ASSY.		001	37200-431-671	A	JPN	
008	BOLT, INSTRUMENT SETTING	X	004	37238-323-700	A	JPN	
009	COLLAR, METER SETTING	X	004	37243-371-008	A	JPN	
010	RUBBER, METER SETTING	X	004	37244-371-008	A	JPN	
011	TACHOMETER ASSY.	S	001	37250-431-007	A	JPN	
011	TACHOMETER ASSY.	S	001	37250-431-661	A	JPN	
012	CABLE ASSY., TACHOMETER		001	37260-371-000	A	JPN	
013	WASHER, METER SETTING	X	004	37314-371-008	A	JPN	
014	COVER, PILOT (UPPER)	X	001	37610-371-680	A	JPN	
015	COVER, PILOT (LOWER) (NIPPON)	X	001	37617-371-008	A	JPN	
016	WIRE, PILOT	W	001	37619-431-007	A	JPN	
017	BUZZER ASSY., TURN SIGNAL	X	001	38400-431-000	A	JPN	
018	CABLE ASSY., SPEEDOMETER	S	001	44830-300-672	A	JPN	
018	CABLE ASSY., SPEEDOMETER	S	001	44830-356-000	A	JPN	
018	CABLE ASSY., SPEEDOMETER	S	001	44830-392-000	A	JPN	
018	CABLE ASSY., SPEEDOMETER		001	44830-426-830	A	JPN	
018	CABLE ASSY., SPEEDOMETER	S	001	44830-431-670	A	JPN	

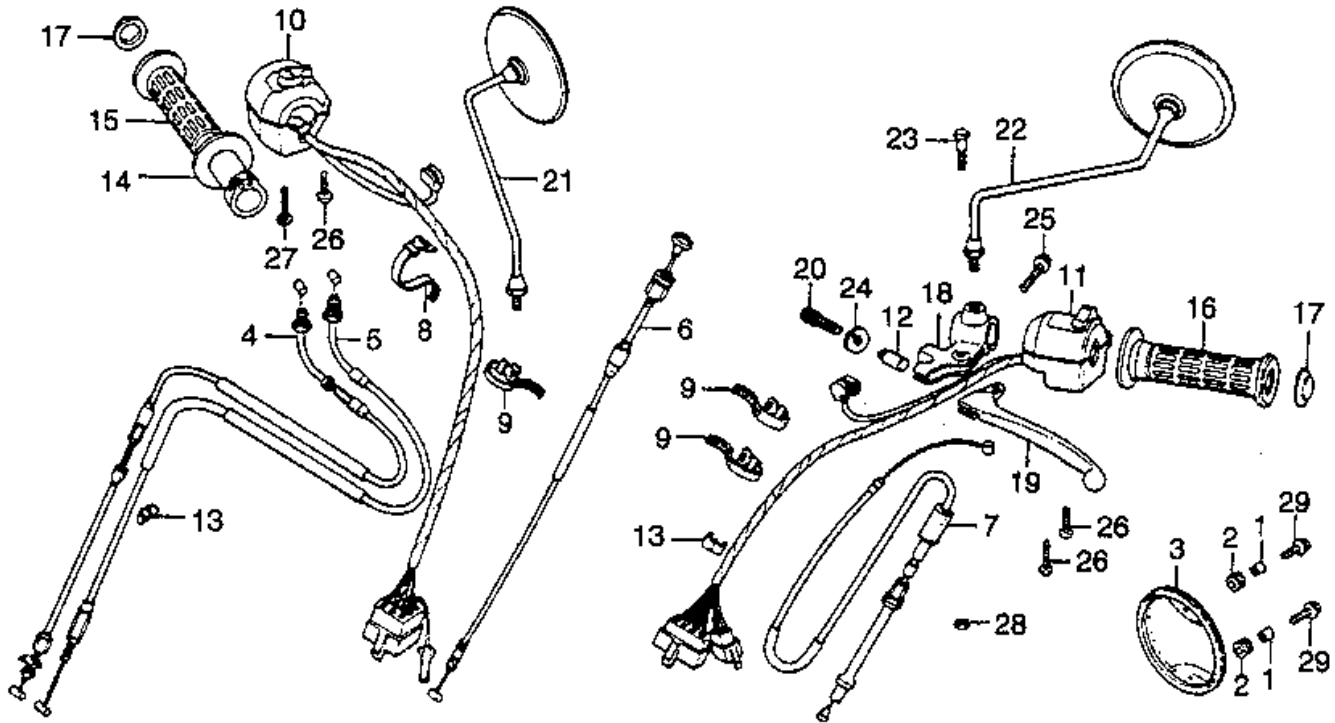
American Honda Motor Co., Inc.

Illustration: SPEEDOMETER □ TACHOMETER (F 04)
 MOTORCYCLE, GOLD WING, GL1000, 1978

Ref.	Part Description	M...	Qty.	Part Number	Area	Origin	Label
018	CABLE ASSY., SPEEDOMETER	S	001	44830-MA1-730	A	JPN	
018	CABLE ASSY., SPEEDOMETER	S	001	44830-MC0-670	A	JPN	
019	SCREW, OVAL (4X70)	X	002	90106-371-000	A	JPN	
020	NUT, HEX. (8MM)		002	90309-357-000	A	JPN	
021	SCREW, OVAL (4X8)		004	93700-04008-0B	A	JPN	
022	SCREW, OVAL (4X18)	W	002	93700-04018-0B	A	JPN	
023	SCREW, OVAL (4X30)	X	002	93700-04030-0G	A	JPN	
024	NUT, HEX. (6MM)	S	006	90310-KA3-711	A	JPN	
024	NUT, HEX. (6MM)	S	006	94000-06000-0S	A	JPN	
024	NUT, HEX. (6MM)	S	006	94001-06000	A	JPN	
024	NUT, HEX. (6MM)	M	006	94001-06000-0S	A	JPN	
024	NUT, HEX. (6MM)	S	006	94001-06008-0S	A	JPN	
024	NUT, HEX. (6MM)	M	006	94001-06200-0S	A	JPN	
024	NUT, HEX. (6MM)	S	006	94030-06000	A	JPN	
025	NUT, CAP (6MM)	Z	002	94021-06000	A	JPN	
025	NUT, CAP (6MM)	S	002	94021-06000-0S	A	JPN	
025	NUT, CAP (6MM)		002	94021-06020	A	JPN	
025	NUT, CAP (6MM)	S	002	94021-06020-0S	A	JPN	
025	NUT, CAP (6MM)	S	002	94022-06020	A	JPN	
026	WASHER, SPRING (6MM)		004	94111-06000	A	JPN	
NI	LABEL, BREAK IN CAUTION	X	001	87523-410-790	A	JPN	

American Honda Motor Co., Inc.

Illustration: HANDLE LEVER □ SWITCH □ CABLE (F 05)
MOTORCYCLE, GOLD WING, GL1000, 1978



PROGRAMS AND DATA ARE THE PROPERTY OF AMERICAN HONDA MOTOR CO., INC.

Parts List

Ref.	Part Description	M...	Qty.	Part Number	Area	Origin	Label
001	COLLAR, ADJUSTING COVER		002	11346-371-300	A	JPN	
002	GROMMET, ADJUSTING COVER		002	11347-371-300	A	JPN	
003	COVER, CLUTCH ADJUST	X	001	11348-371-000	A	JPN	
004	CABLE A, THROTTLE	S	001	17910-371-660	A	JPN	
004	CABLE A, THROTTLE		001	17910-MB9-670	A	JPN	
005	CABLE B, THROTTLE	S	001	17920-371-660	A	JPN	
005	CABLE B, THROTTLE		001	17920-463-405	A	JPN	
006	CABLE, CHOKE	S	001	17950-371-000	A	JPN	
006	CABLE, CHOKE		001	17950-371-010	A	JPN	
007	CABLE, CLUTCH		001	22870-371-660	A	JPN	
008	BAND B1, CABLE		001	32161-404-000	A	JPN	
009	BAND B1, CABLE		003	32161-404-610	A	JPN	
010	SWITCH ASSY., STARTING STOP	X	001	35130-431-671	A	JPN	
011	SWITCH ASSY., TURN SIGNAL	S	001	35200-431-671	A	JPN	
012	SWITCH, FR. LEVER		001	35330-413-003	A	JPN	
013	CLIP, FR. BRAKE CABLE		002	45465-341-700	A	JPN	
014	PIPE, THROTTLE GRIP		001	53141-300-010	A	JPN	
015	GRIP, R. HANDLE	S	001	53165-371-000	A	JPN	
015	GRIP, R. HANDLEBAR	M	001	53165-390-780	A	JPN	
016	GRIP, L. HANDLE	S	001	53166-371-000	A	JPN	

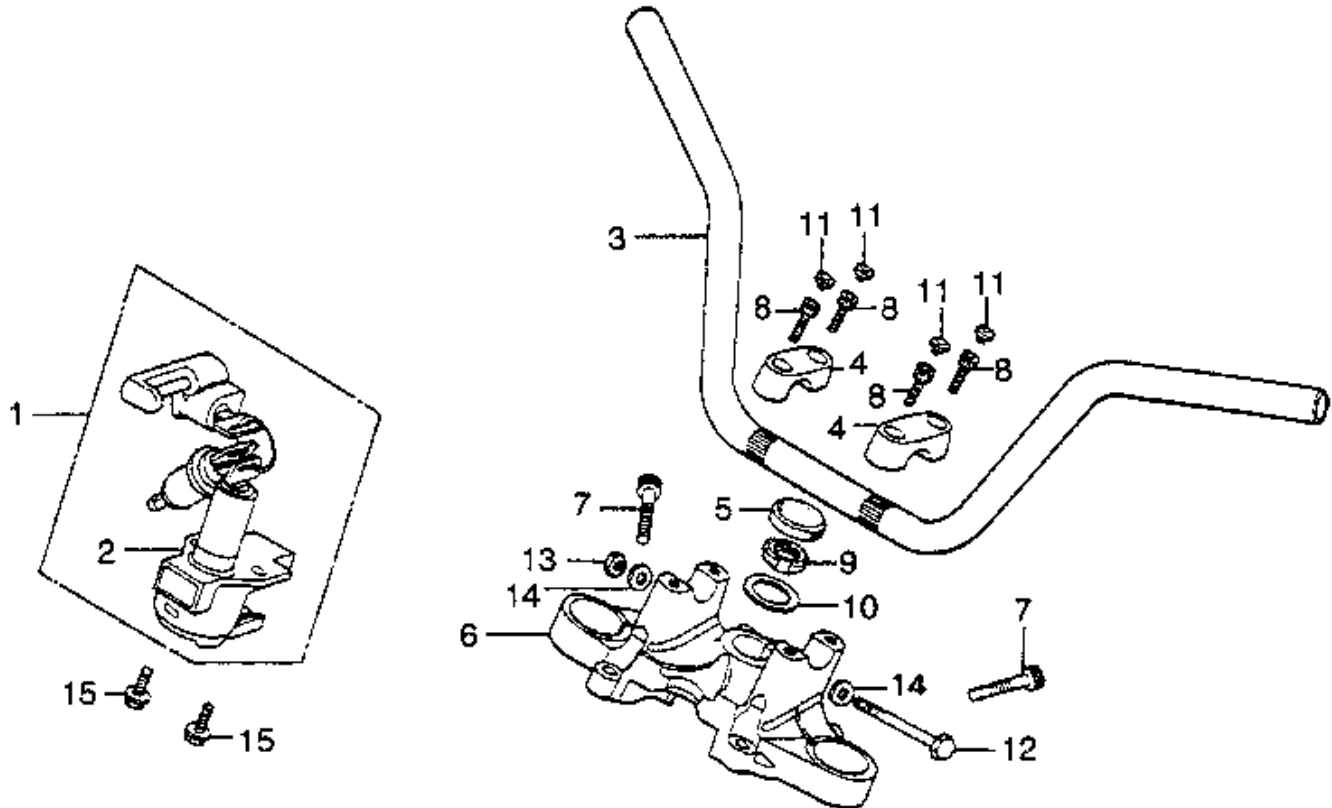
American Honda Motor Co., Inc.

Illustration: HANDLE LEVER □ SWITCH □ CABLE (F 05)
MOTORCYCLE, GOLD WING, GL1000, 1978

Ref.	Part Description	M...	Qty.	Part Number	Area	Origin	Label
016	GRIP, L. HANDLEBAR		001	53166-390-780	A	JPN	
017	CAP, HANDLE END	X	002	53167-371-000	A	JPN	
018	BRACKET, L. HANDLEBAR	X	001	53172-431-003	A	JPN	
019	LEVER, L. HANDLE		001	53178-431-003	A	JPN	
020	BOLT, CLUTCH CABLE ADJUSTING		001	53192-312-000	A	JPN	
021	MIRROR, R.	X	001	88100-371-660	A	JPN	
022	MIRROR, L.	X	001	88120-371-660	A	JPN	
023	BOLT, HANDLEBAR LEVER PIVOT	S	001	90114-268-020	A	JPN	
023	BOLT, HANDLEBAR LEVER PIVOT		001	90114-310-000	A	JPN	
024	NUT, FIXING		001	90321-315-670	A	JPN	
024	NUT, FIXING	S	001	90321-968-000	A	JPN	
025	BOLT, HEX. (6X25)	S	001	93000-06025-02	A	JPN	
025	BOLT, HEX. (6X25)	S	001	93000-06025-0B	A	JPN	
025	BOLT, HEX. (6X25)		001	93101-06025-0B	A	JPN	
026	SCREW, PAN (5X25)		003	93500-05025-0A	A	JPN	
027	SCREW, PAN (5X35)		001	93500-05035-0A	A	JPN	
028	NUT, HEX. (6MM)	S	001	90310-KA3-711	A	JPN	
028	NUT, HEX. (6MM)	S	001	94000-06000-0S	A	JPN	
028	NUT, HEX. (6MM)	S	001	94001-06000	A	JPN	
028	NUT, HEX. (6MM)	M	001	94001-06000-0S	A	JPN	
028	NUT, HEX. (6MM)	S	001	94001-06008-0S	A	JPN	
028	NUT, HEX. (6MM)	M	001	94001-06200-0S	A	JPN	
028	NUT, HEX. (6MM)	S	001	94030-06000	A	JPN	
029	BOLT, FLANGE (6X16)	S	002	95700-06016-00	A	JPN	
029	BOLT, FLANGE (6X16)		002	95701-06016-00	A	JPN	
NI	WASHER, PLAIN (6MM)		001	94101-06200	A	JPN	

American Honda Motor Co., Inc.

Illustration: HANDLEBAR □ KEY SET (F 06)
MOTORCYCLE, GOLD WING, GL1000, 1978



PROGRAMS AND DATA ARE THE PROPERTY OF AMERICAN HONDA MOTOR CO., INC.

Parts List

Ref.	Part Description	M...	Qty.	Part Number	Area	Origin	Label
001	LOCK SET	S	001	35010-431-010	A	JPN	
001	LOCK SET	X	001	35010-431-020	A	JPN	
002	SWITCH ASSY., COMBINATION	S	001	35100-431-007	A	JPN	
002	SWITCH ASSY., COMBINATION	S	001	35100-431-017	A	JPN	
002	SWITCH ASSY., COMBINATION	S	001	35100-431-027	A	JPN	
002	SWITCH ASSY., COMBINATION	F	001	35100-431-037	A	JPN	
002	SWITCH ASSY., COMBINATION		001	35100-431-047	A	JPN	
003	HANDLEBAR	X	001	53100-431-670	A	JPN	
004	HOLDER, HANDLE (UPPER)		002	53131-371-000	A	JPN	
005	CAP, STEERING STEM	X	001	53209-371-000	A	JPN	
006	BRIDGE, FORK TOP *A01* (MAT BLACK)	X	001	53230-371-000ZA	A	JPN	
007	BOLT, HEX. SOCKET (10X35)	S	002	90180-371-000	A	JPN	
008	BOLT, HEX. SOCKET (8X32)		004	90185-371-000	A	JPN	
009	NUT, STEERING STEM	X	001	90304-371-000	A	JPN	
010	WASHER, STEERING STEM		001	90503-283-000	A	JPN	
011	CAP, SOCKET BOLT		004	91456-371-770	A	JPN	
012	BOLT, HEX. (8X65)	S	001	92000-08065-0B	A	JPN	

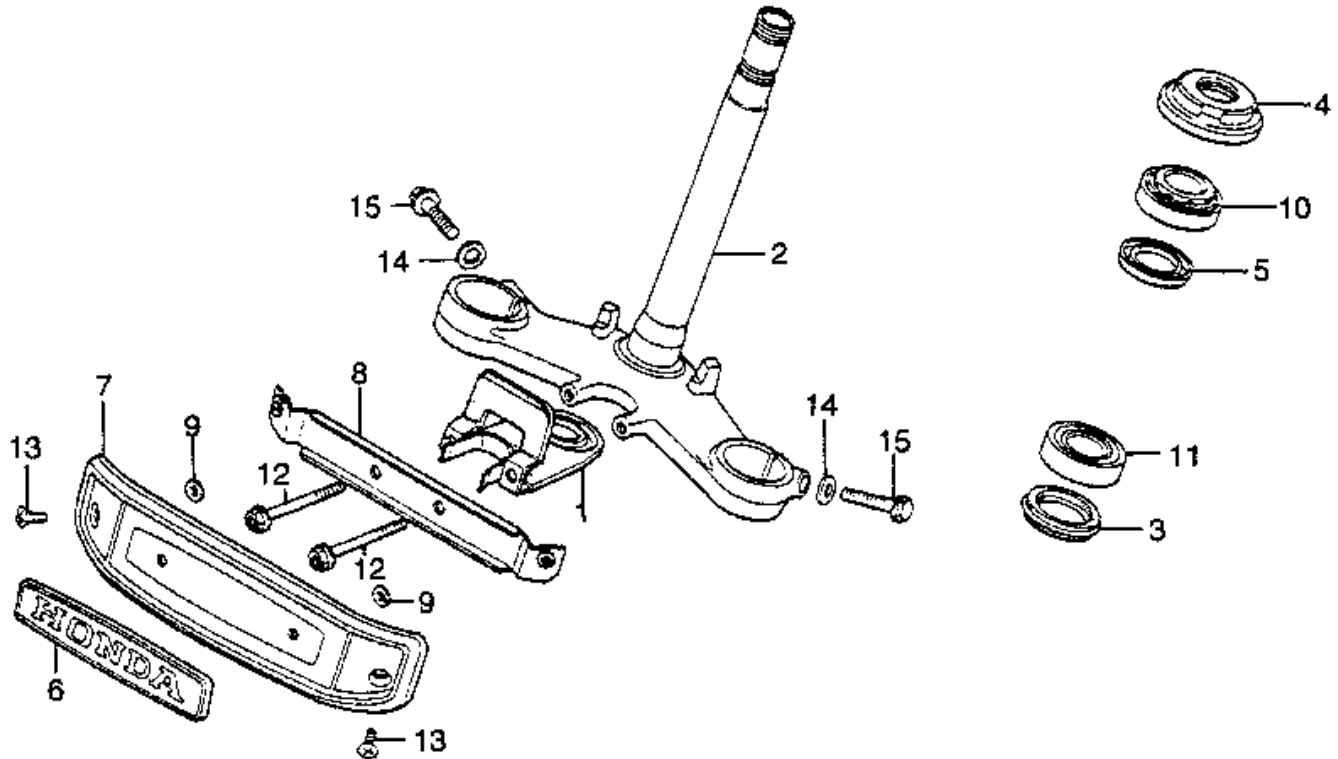
American Honda Motor Co., Inc.

Illustration: HANDLEBAR □ KEY SET (F 06)
MOTORCYCLE, GOLD WING, GL1000, 1978

Ref.	Part Description	M...	Qty.	Part Number	Area	Origin	Label
012	BOLT, HEX. (8X65)	W	001	92101-08065-0B	A	JPN	
013	NUT, HEX. (8MM)		001	94001-08020-0S	A	JPN	
014	WASHER, PLAIN (8MM)		002	94101-08200	A	JPN	
015	BOLT, FLANGE (6X14)	S	002	95700-06014-08	A	JPN	
015	BOLT, FLANGE (6X14)		002	95701-06014-08	A	JPN	

American Honda Motor Co., Inc.

Illustration: STEERING STEM (F 07)
MOTORCYCLE, GOLD WING, GL1000, 1978



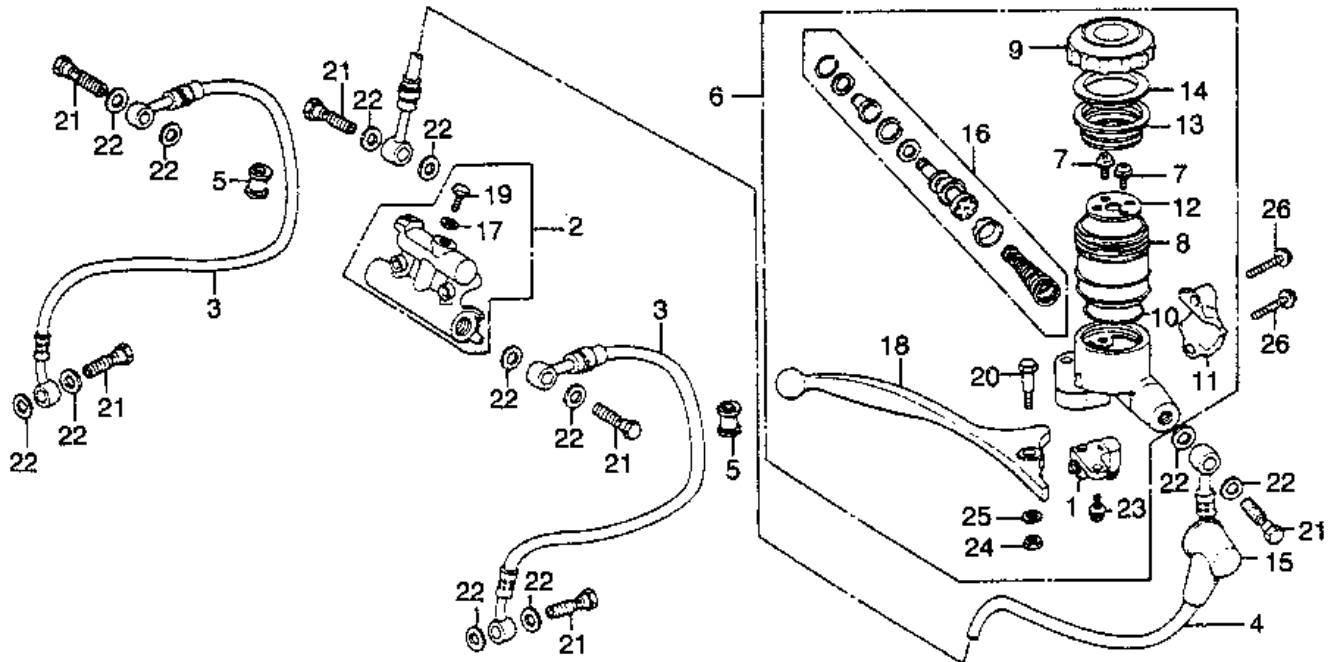
PROGRAMS AND DATA ARE THE PROPERTY OF AMERICAN HONDA MOTOR CO., INC.

Parts List

Ref.	Part Description	M...	Qty.	Part Number	Area	Origin	Label
001	GUARD, WIRE HARNESS	X	001	32223-431-670	A	JPN	
002	STEM, STEERING *NH1* (BLACK)	X	001	53200-371-010ZA	A	JPN	
003	DUST SEAL, STEERING HEAD		001	53214-371-010	A	JPN	
004	THREAD, STEERING HEAD (UPPER)		001	53220-286-000	A	JPN	
005	HOLDER, GREASE		001	53223-371-010	A	JPN	
006	EMBLEM, FR.	X	001	87127-431-670	A	JPN	
007	STAY A, FR. EMBLEM	X	001	87128-431-670	A	JPN	
008	STAY B, FR. EMBLEM	X	001	87129-431-670	A	JPN	
009	NUT, SPEED (3MM)		002	90313-567-000	A	JPN	
010	BEARING, HEAD PIPE (UPPER)		001	91015-371-000	A	JPN	
011	BEARING, HEAD PIPE (LOWER)		001	91016-371-000	A	JPN	
012	BOLT, HEX. (10X40)	S	002	92000-10040-0B	A	JPN	
012	BOLT, HEX. (10X40)		002	92101-10040-0B	A	JPN	
013	SCREW, FLAT (5X8)		002	93600-05008-0G	A	JPN	
013	SCREW, FLAT (5X8)	Z	002	93600-05008-1G	A	JPN	
014	WASHER, PLAIN (10MM)		002	94101-10200	A	JPN	
015	BOLT, FLANGE (6X40)	S	002	95700-06040-00	A	JPN	
015	BOLT, FLANGE (6X40)		002	95701-06040-00	A	JPN	

American Honda Motor Co., Inc.

Illustration: FRONT MASTER CYLINDER 78 (F 08)
MOTORCYCLE, GOLD WING, GL1000, 1978



PROGRAMS AND DATA ARE THE PROPERTY OF AMERICAN HONDA MOTOR CO., INC.

Parts List

Ref.	Part Description	M...	Qty.	Part Number	Area	Origin	Label
001	SWITCH ASSY., FR. STOP	S	001	35340-413-003	A	JPN	
001	SWITCH ASSY., FR. STOP		001	35340-413-013	A	JPN	
002	JOINT ASSY., THREE-WAY	W	001	45123-410-000	A	JPN	
003	HOSE A, FR. BRAKE		002	45125-371-013	A	JPN	
004	HOSE B, FR. BRAKE (NICHIRIN)	S	001	45126-371-660	A	JPN	
005	BUSH, BRAKE HOSE		002	45146-371-000	A	JPN	
006	MASTER CYLINDER ASSY., FR.	S	001	45500-431-671	A	JPN	
006	MASTER CYLINDER ASSY., FR.	X	001	45500-431-672	A	JPN	
007	SCREW, OIL CUP	X	002	45509-371-000	A	JPN	
008	CUP, OIL (NISSHIN)	X	001	45511-371-003	A	JPN	
009	CAP, OIL CUP	S	001	43513-461-771	A	JPN	
009	CAP, OIL CUP		001	43513-MJ6-006	A	JPN	
009	CAP, OIL CUP	S	001	45513-341-771	A	JPN	
010	O-RING (43.7X2.5)		001	45516-371-003	A	JPN	
011	HOLDER, MASTER CYLINDER	Z	001	45517-300-003	A	JPN	
011	HOLDER, MASTER CYLINDER		001	45517-MA5-671	A	JPN	
012	PLATE, OIL CUP	X	001	45518-371-003	A	JPN	
013	DIAPHRAGM	S	001	45520-371-003	A	JPN	
013	DIAPHRAGM		001	45520-371-013	A	JPN	
014	PLATE, DIAPHRAGM	S	001	45521-300-010	A	JPN	
014	PLATE, DIAPHRAGM		001	45521-MJ6-006	A	JPN	
015	BOOT, MASTER CYLINDER		001	45522-300-010	A	JPN	

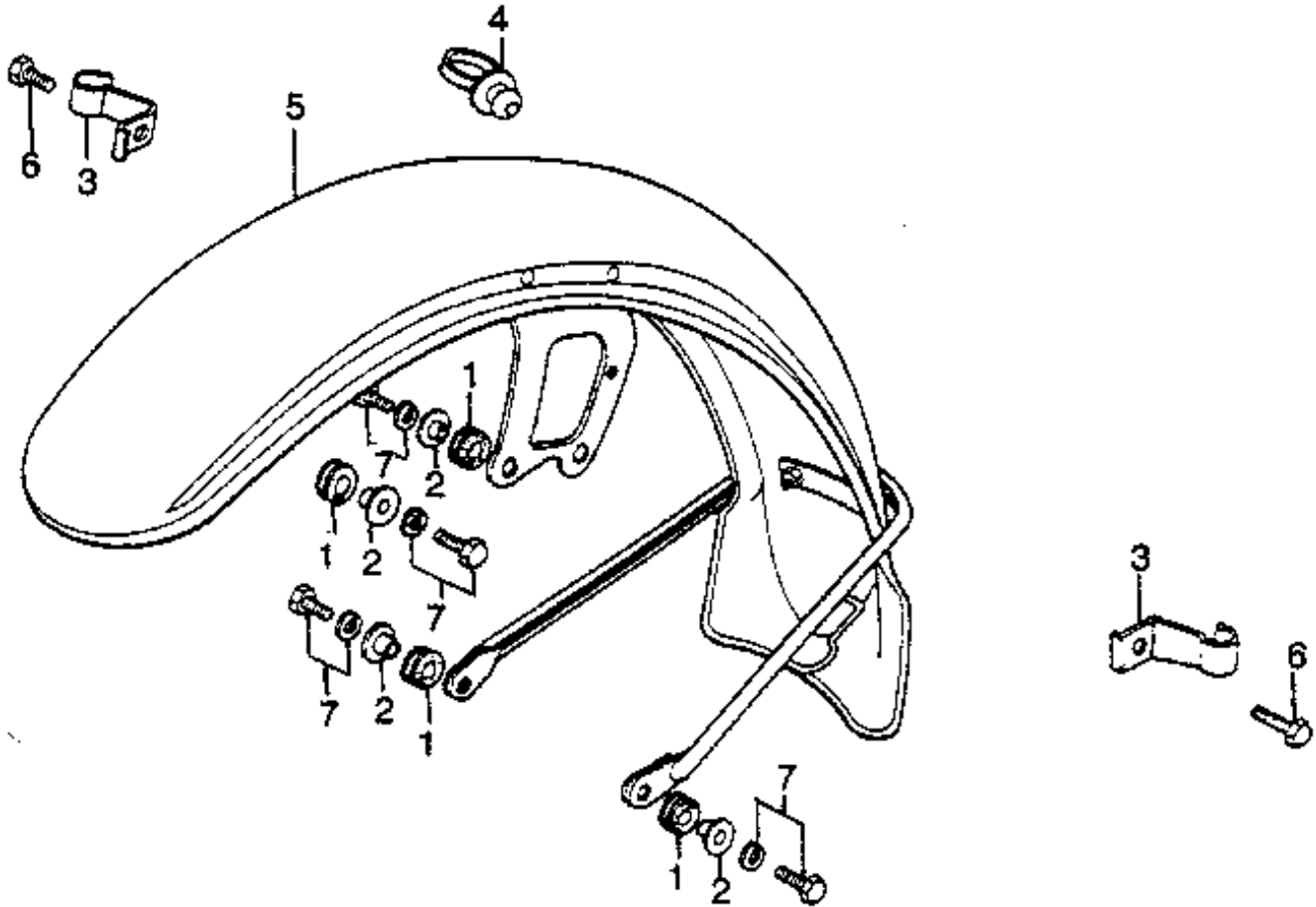
American Honda Motor Co., Inc.

Illustration: FRONT MASTER CYLINDER 78 (F 08)
MOTORCYCLE, GOLD WING, GL1000, 1978

Ref.	Part Description	M...	Qty.	Part Number	Area	Origin	Label
016	MASTER CYLINDER SET, FR.		001	45530-410-305	A	JPN	
017	WASHER, STOPPER BOLT	X	001	46138-568-671	A	JPN	
018	LEVER, R. HANDLEBAR		001	53175-431-670	A	JPN	
019	BOLT, SEALING (NISSHIN)	X	001	90105-371-003	A	JPN	
020	BOLT, HANDLEBAR LEVER PIVOT	X	001	90114-393-770	A	JPN	
021	BOLT, OIL	S	006	90145-300-000	A	JPN	
021	BOLT, OIL		006	90145-300-010	A	JPN	
022	WASHER, OIL BOLT		012	90545-300-000	A	JPN	
023	SCREW-WASHER (4X12)		001	93893-04012-00	A	JPN	
024	NUT, HEX. (6MM)	S	001	94002-06000	A	JPN	
024	NUT, HEX. (6MM)		001	94002-06000-0S	A	JPN	
025	WASHER, PLAIN (6MM)	S	001	94101-06000	A	JPN	
025	WASHER, PLAIN (6MM)	S	001	94101-06080	A	JPN	
025	WASHER, PLAIN (6MM)		001	94101-06800	A	JPN	
026	BOLT, FLANGE (6X25)	S	002	95700-06025-00	A	JPN	
026	BOLT, FLANGE (6X25)		002	95701-06025-00	A	JPN	

American Honda Motor Co., Inc.

Illustration: FRONT FENDER (F 09)
MOTORCYCLE, GOLD WING, GL1000, 1978



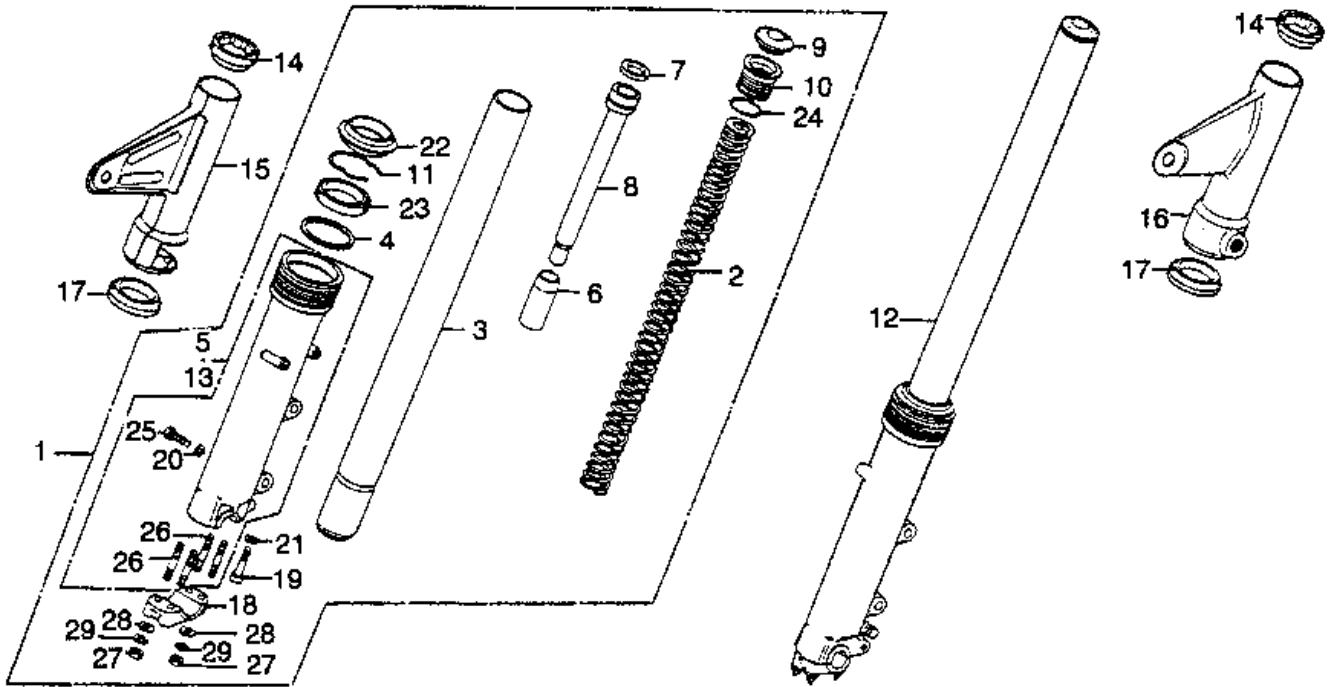
PROGRAMS AND DATA ARE THE PROPERTY OF AMERICAN HONDA MOTOR CO., INC.

Parts List

Ref.	Part Description	M...	Qty.	Part Number	Area	Origin	Label
001	RUBBER, CHAIN CASE SETTING		006	40513-310-000	A	JPN	
002	COLLAR, CHAIN CASE		006	40514-310-000	A	JPN	
003	CLAMP, BRAKE HOSE		002	45147-371-010	A	JPN	
004	GROMMET, CABLE		001	45451-367-690	A	JPN	
005	FENDER, FR.	X	001	61100-431-670	A	JPN	
006	BOLT, HEX. (6X10)	S	002	92000-06010	A	JPN	
006	BOLT, HEX. (6X10)		002	92101-06010-0A	A	JPN	
007	BOLT-WASHER (6X20)	X	006	93482-06020-00	A	JPN	

American Honda Motor Co., Inc.

Illustration: FRONT FORK (F 10)
MOTORCYCLE, GOLD WING, GL1000, 1978



PROGRAMS AND DATA ARE THE PROPERTY OF AMERICAN HONDA MOTOR CO., INC.

Parts List

Ref.	Part Description	M...	Qty.	Part Number	Area	Origin	Label
001	FORK ASSY., R. FR.	X	001	51400-431-671	A	JPN	
002	SPRING, FR. FORK	X	002	51401-431-671	A	JPN	
003	PIPE, FR. FORK	X	002	51410-431-671	A	JPN	
004	RING, BACK-UP		002	51412-371-003	A	JPN	
005	CASE, R. (LOWER)		001	51420-431-671	A	JPN	
006	PIECE, OIL LOCK	X	002	51432-371-003	A	JPN	
007	RING, PISTON	X	002	51437-371-003	A	JPN	
008	PIPE (LOWER)	X	002	51440-431-671	A	JPN	
009	CAP, FR. FORK TOP		002	51449-371-003	A	JPN	
010	BOLT, FR. FORK	X	002	51454-371-003	A	JPN	
011	RING, OIL SEAL STOPPER		002	51447-KL4-951	A	JPN	
011	RING, OIL SEAL STOPPER	S	002	51466-375-000	A	JPN	
012	FORK ASSY., L. FR.	X	001	51500-431-671	A	JPN	
013	CASE, L. (LOWER)		001	51520-431-671	A	JPN	
014	RUBBER, FORK COVER (UPPER)	X	002	51601-371-000	A	JPN	
015	COVER, R. FR. FORK		001	51602-431-670	A	JPN	
016	COVER, L. FR. FORK	X	001	51606-431-670	A	JPN	
017	RUBBER, FORK COVER (LOWER)	X	002	51622-371-000	A	JPN	
018	HOLDER, FR. AXLE	W	002	51634-340-000	A	JPN	
019	BOLT, SOCKET (8MM)	S	002	90116-283-010	A	JPN	
019	BOLT, SOCKET (8MM) (SHOWA)		002	90116-383-721	A	JPN	

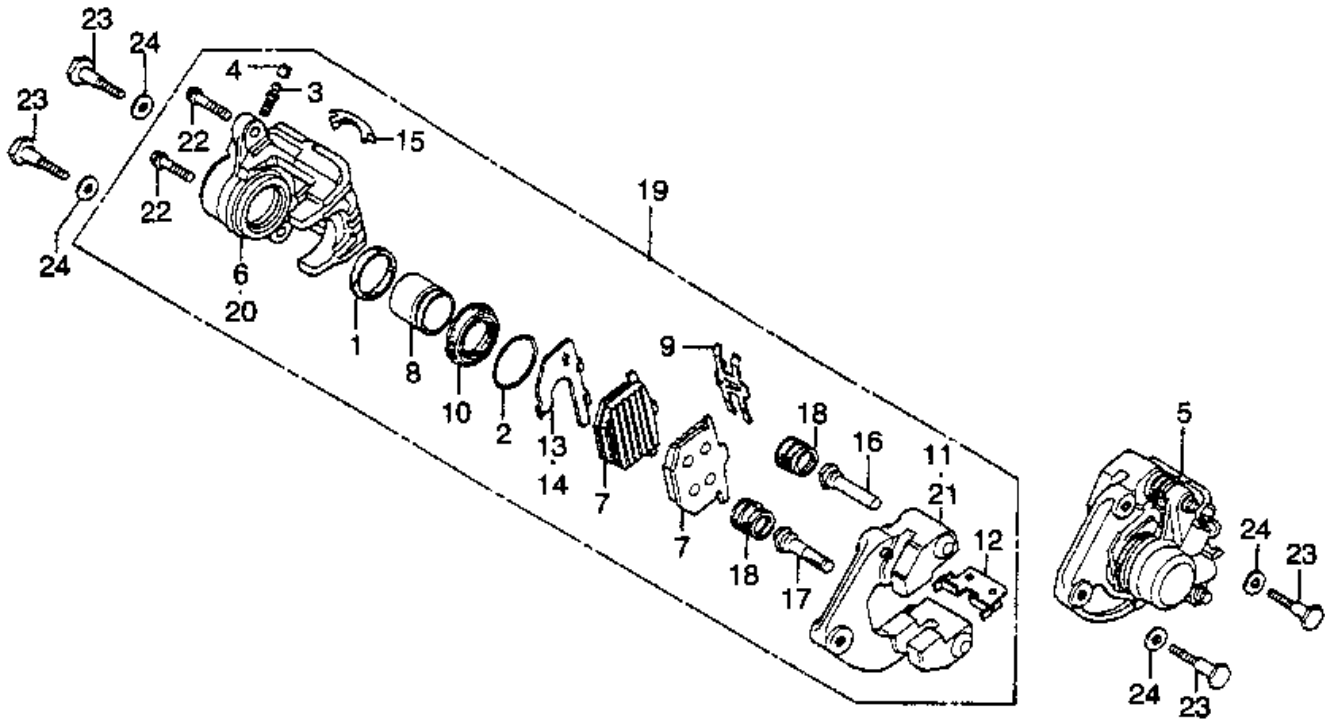
American Honda Motor Co., Inc.

Illustration: FRONT FORK (F 10)
MOTORCYCLE, GOLD WING, GL1000, 1978

Ref.	Part Description	M...	Qty.	Part Number	Area	Origin	Label
020	GASKET, FR. FORK DRAIN VALVE		002	90543-273-000	A	JPN	
021	WASHER, SPECIAL (8MM)		002	90544-283-000	A	JPN	
022	DUST SEAL (37X58X14.7)		002	91254-371-003	A	JPN	
023	OIL SEAL SET		002	51495-467-405	A	JPN	
023	OIL SEAL (37X48X12.5)	S	002	91255-431-671	A	JPN	
023	OIL SEAL (37X48X12.5)	S	002	91255-467-671	A	JPN	
024	O-RING (29X2.4)		002	91344-PC9-004	A	JPN	
024	O-RING (29X2.4)	Z	002	91356-371-000	A	JPN	
025	BOLT, HEX. (6X10)	S	002	92000-06010	A	JPN	
025	BOLT, HEX. (6X10)		002	92101-06010-0A	A	JPN	
026	BOLT, STUD (8X50)	S	008	92700-08050-30	A	JPN	
026	BOLT, STUD (8X50)	S	008	92700-08050-3B	A	JPN	
026	BOLT, STUD (8X50)		008	92900-08028-3B	A	JPN	
027	NUT, HEX. (8MM)		008	94001-08000-0S	A	JPN	
028	WASHER, PLAIN (8MM)		008	94101-08000	A	JPN	
029	WASHER, SPRING (8MM)		008	94111-08000	A	JPN	

American Honda Motor Co., Inc.

Illustration: FRONT BRAKE CALIPER (F 11)
MOTORCYCLE, GOLD WING, GL1000, 1978



PROGRAMS AND DATA ARE THE PROPERTY OF AMERICAN HONDA MOTOR CO., INC.

Parts List

Ref.	Part Description	M...	Qty.	Part Number	Area	Origin	Label
001	SEAL, PISTON (38MM)		002	43209-371-006	A	JPN	
002	CLIP, DUST COVER		002	43218-371-006	A	JPN	
003	SCREW, BLEEDER		002	43352-568-003	A	JPN	
004	CAP, BLEEDER SCREW		002	43353-548-003	A	JPN	
005	CALIPER ASSY., L. FR. (NISSHIN)	D	001	45100-410-006	A	JPN	
005	CALIPER ASSY., L. FR. (NISSHIN)	D	001	45100-410-016	A	JPN	
006	CALIPER, L. (NISSHIN)	S	001	45101-410-006	A	JPN	
007	PAD (NISSHIN) (SEE KIT P/N--END OF BLOCK)	D	004	45105-410-004 -4009817	A	JPN	
007	PAD (NISSHIN) (SEE KIT P/N--END OF BLOCK)	D	004	45105-410-004	A	JPN	
007	PAD (NISSHIN) (SEE KIT P/N--END OF BLOCK)	D	004	45105-410-006 -4009817	A	JPN	
007	PAD (NISSHIN) (SEE KIT P/N--END OF BLOCK)	D	004	45105-410-007 -4009817	A	JPN	
007	PAD (NISSHIN) (SEE KIT P/N--END OF BLOCK)	D	004	45105-410-007	A	JPN	
007	PAD (SEE KIT P/N--END OF BLOCK)	D	004	45105-410-016 -4009817	A	JPN	
007	PAD (SEE KIT P/N--END OF BLOCK)	D	004	45105-410-016	A	JPN	
007	PAD (NISSHIN) (SEE KIT P/N--END OF BLOCK)	D	004	45105-410-026 -4009817	A	JPN	

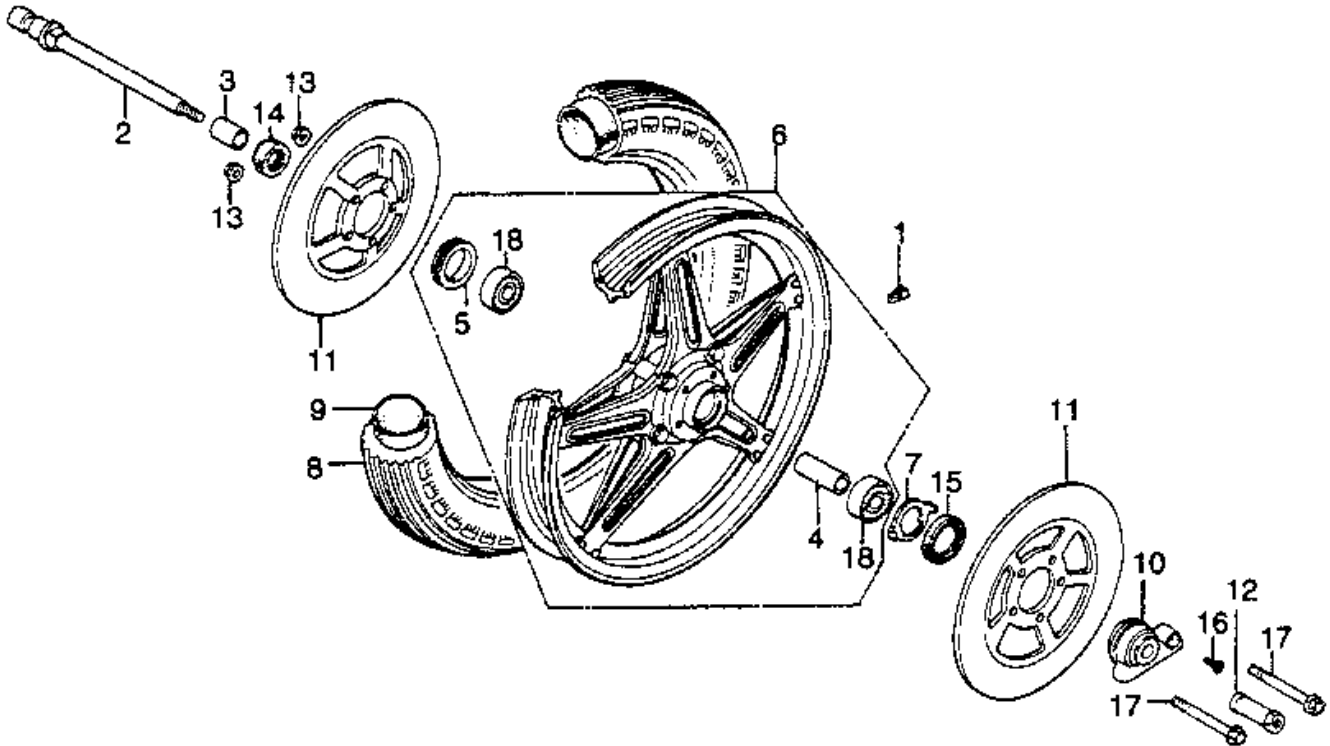
American Honda Motor Co., Inc.

Illustration: FRONT BRAKE CALIPER (F 11)
MOTORCYCLE, GOLD WING, GL1000, 1978

Ref.	Part Description	M...	Qty.	Part Number	Area	Origin	Label
007	PAD (NISSHIN) (SEE KIT P/N--END OF BLOCK)	D	004	45105-410-026	A	JPN	
007	PAD (NISSIN)		004	45105-410-305	A	JPN	
				-4009817			
007	PAD (NISSIN)		004	45105-410-305	A	JPN	
008	PISTON (NISSHIN)		002	45107-410-006	A	JPN	
009	SPRING, PAD (NISSHIN)		002	45108-410-006	A	JPN	
010	BOOT, PISTON		002	45109-371-006	A	JPN	
011	BRACKET, L. FR. (NISSHIN)	X	001	45110-410-006	A	JPN	
012	RETAINER, BRACKET		004	45112-410-006	A	JPN	
013	SHIM A, PAD		001	45114-371-006	A	JPN	
014	SHIM B, PAD		001	45116-371-006	A	JPN	
015	CAP, INDICATOR		002	45119-371-000	A	JPN	
016	PIN A (NISSHIN)	X	002	45131-410-006	A	JPN	
017	PIN B (NISSHIN)		002	45132-410-006	A	JPN	
018	COVER, DUST		004	45133-371-006	A	JPN	
019	CALIPER ASSY., R. FR. (NISSHIN)	D	001	45200-410-006	A	JPN	
019	CALIPER ASSY., R. FR. (NISSHIN)	X	001	45200-410-016	A	JPN	
020	CALIPER, R. (NISSHIN)	S	001	45201-410-006	A	JPN	
020	CALIPER, R.	X	001	45201-442-701	A	JPN	
021	BRACKET, R. FR.	X	001	45210-410-006	A	JPN	
022	BOLT (8X25)		004	90116-410-006	A	JPN	
023	BOLT, FR. CALIPER		004	90123-371-000	A	JPN	
024	WASHER, OIL BOLT		004	90545-300-000	A	JPN	
NI	PAD SET, BRAKE	M	002	06455-371-405	A	JPN	
NI	BRAKE PAD KIT	D	002	451A0-371-670	A	JPN	

American Honda Motor Co., Inc.

Illustration: FRONT WHEEL (F 12)
MOTORCYCLE, GOLD WING, GL1000, 1978



PROGRAMS AND DATA ARE THE PROPERTY OF AMERICAN HONDA MOTOR CO., INC.

Parts List

Ref.	Part Description	M...	Qty.	Part Number	Area	Origin	Label
001	WEIGHT, BALANCE (20G)		AR	42705-410-000	A	JPN	
001	WEIGHT, BALANCE (30G)		AR	42706-410-000	A	JPN	
002	AXLE, FR. WHEEL		001	44301-371-000	A	JPN	
003	COLLAR, FR. WHEEL SIDE	Z	001	44311-410-000	A	JPN	
004	COLLAR, FR. WHEEL DISTANCE		001	44620-410-000	A	JPN	
005	RETAINER, FR. WHEEL BEARING		001	44643-300-000	A	JPN	
006	WHEEL, FR.	S	001	44650-431-670	A	JPN	
				-4007685			
006	WHEEL, FR.	X	001	44650-431-671	A	JPN	
007	RETAINER, GEAR BOX		001	44680-410-000	A	JPN	
008	TIRE, FR. (3.50H-19) (BS)	D	001	44711-371-671	A	JPN	
009	TUBE, TIRE (4.00-18) (BS)	M	001	08400-34001	A	JPN	
009	TUBE, TIRE (3.25/3.50-19) (BS)	M	001	08400-37110	A	JPN	
009	TUBE, TIRE (4.10-18) (BS)	S	001	42712-400-003	A	JPN	
009	TUBE, TIRE (100/100-18) (INOUE)		001	42712-KT1-671	A	JPN	
009	TUBE, TIRE (3.25/3.50-19) (BS)	S	001	44712-300-003	A	JPN	
009	TUBE, TIRE (DUNLOP)	D	001	44712-300-004	A	JPN	
009	TUBE, TIRE (3.50-19) (BS)	M	001	44712-371-003	A	JPN	
010	BOX ASSY., SPEEDOMETER GEAR	S	001	44800-410-003	A	JPN	
010	BOX ASSY., SPEEDOMETER GEAR	S	001	44800-425-003	A	JPN	

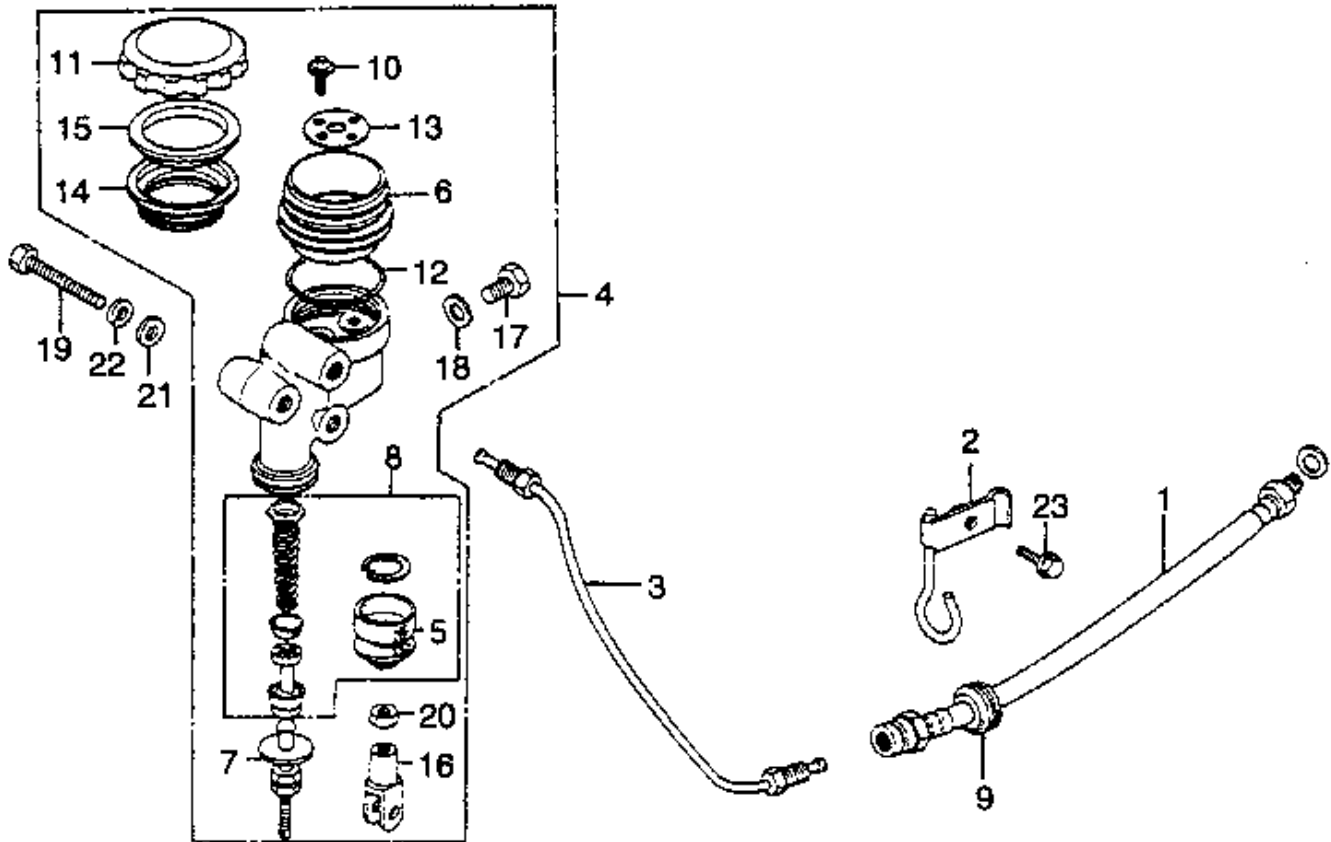
American Honda Motor Co., Inc.

Illustration: FRONT WHEEL (F 12)
MOTORCYCLE, GOLD WING, GL1000, 1978

Ref.	Part Description	M...	Qty.	Part Number	Area	Origin	Label
010	BOX ASSY., SPEEDOMETER GEAR		001	44800-425-013	A	JPN	
011	DISK, FR. BRAKE	S	002	45251-410-000	A	JPN	
011	DISK, FR. BRAKE	X	002	45251-410-305	A	JPN	
012	NUT, AXLE (12MM)	X	001	90305-431-670	A	JPN	
013	NUT, HEX. (8MM)		005	90309-357-000	A	JPN	
014	DUST SEAL (22X36X8)		001	91252-300-003	A	JPN	
015	DUST SEAL (40X50X5)	S	001	91258-410-003	A	JPN	
015	DUST SEAL (40X50X5) (NOK)	S	001	91258-410-006	A	JPN	
015	DUST SEAL (40X50X5) (ARAI)		001	91258-410-013	A	JPN	
016	SCREW, OVAL (5X20)		001	93700-05020-0B	A	JPN	
017	BOLT, FLANGE (8X100)	X	005	95812-08100-00	A	JPN	
018	BEARING, RADIAL BALL (6302U)	S	002	96140-63020-10	A	JPN	
018	BEARING, RADIAL BALL (6302UU)		002	96150-63020-10	A	JPN	

American Honda Motor Co., Inc.

Illustration: REAR MASTER CYLINDER (F 13)
MOTORCYCLE, GOLD WING, GL1000, 1978



PROGRAMS AND DATA ARE THE PROPERTY OF AMERICAN HONDA MOTOR CO., INC.

Parts List

Ref.	Part Description	M...	Qty.	Part Number	Area	Origin	Label
001	HOSE, RR. BRAKE	X	001	43310-431-671	A	JPN	
002	CLIP, RR. BRAKE HOSE	X	001	43415-371-000	A	JPN	
003	PIPE, RR. BRAKE	X	001	43420-371-000	A	JPN	
004	MASTER CYLINDER ASSY., RR.	S	001	43500-431-671	A	JPN	
				-4054682			
004	MASTER CYLINDER ASSY., RR.	X	001	43500-431-672	A	JPN	
005	BOOT, MASTER CYLINDER	X	001	43504-371-003	A	JPN	
				-4054682			
005	BOOT, MASTER CYLINDER		001	43504-371-013	A	JPN	
				4054683-			
006	CUP, OIL	X	001	43511-371-003	A	JPN	
007	ROD, PUSH (NISSHIN)	X	001	43530-392-003	A	JPN	
008	MASTER CYLINDER SET, RR.		001	43530-410-305	A	JPN	
009	GROMMET, BRAKE HOSE		001	45146-300-000	A	JPN	
010	SCREW, OIL CUP	X	002	45509-371-000	A	JPN	
011	CAP, OIL CUP	S	001	43513-461-771	A	JPN	
011	CAP, OIL CUP		001	43513-MJ6-006	A	JPN	

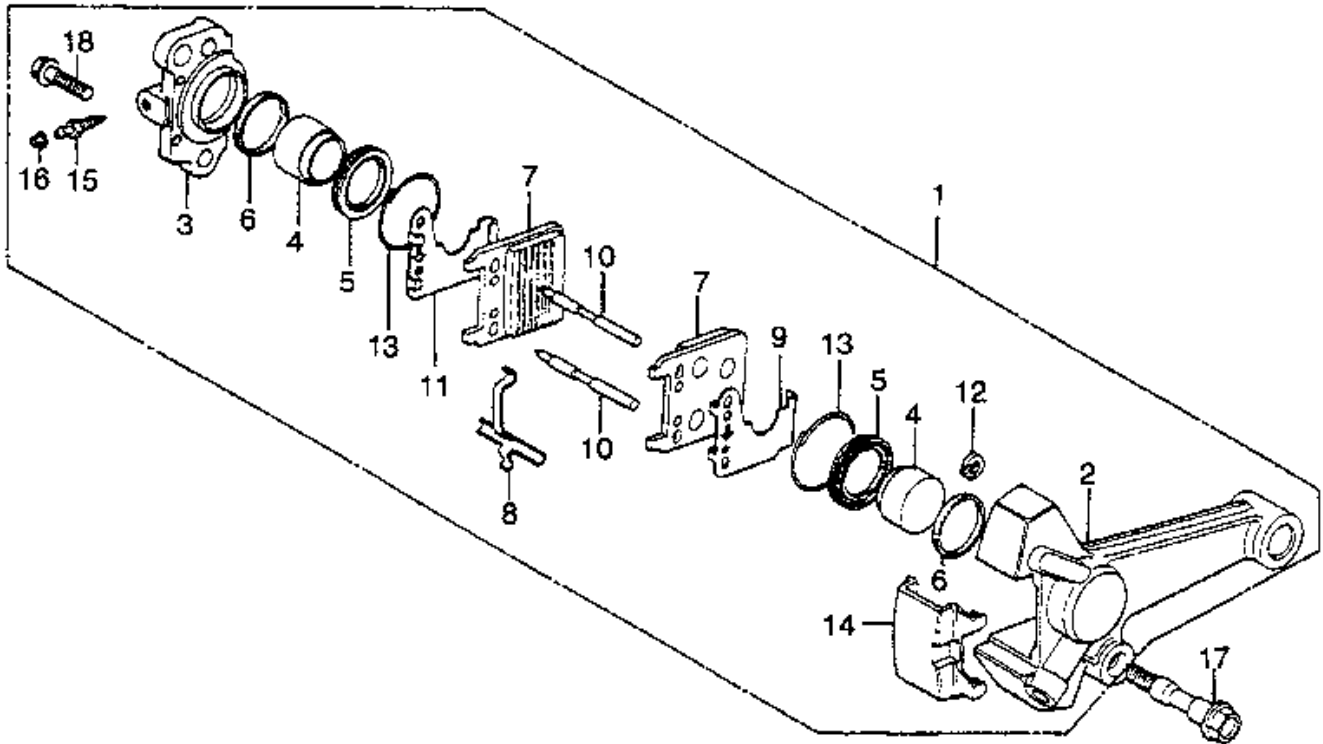
American Honda Motor Co., Inc.

Illustration: REAR MASTER CYLINDER (F 13)
 MOTORCYCLE, GOLD WING, GL1000, 1978

Ref.	Part Description	M...	Qty.	Part Number	Area	Origin	Label
011	CAP, OIL CUP	S	001	45513-341-771	A	JPN	
012	O-RING (43.7X2.5)		001	45516-371-003	A	JPN	
013	PLATE, OIL CUP	X	001	45518-371-003	A	JPN	
014	DIAPHRAGM		001	45520-300-000	A	JPN	
015	PLATE, DIAPHRAGM	S	001	45521-300-010	A	JPN	
015	PLATE, DIAPHRAGM		001	45521-MJ6-006	A	JPN	
016	JOINT, BRAKE ROD	W	001	46504-371-000	A	JPN	
017	BOLT, PLUG	X	001	90161-371-003	A	JPN	
018	WASHER, OIL BOLT		001	90545-300-000	A	JPN	
019	BOLT, HEX. (8X45)	X	002	92000-08045-0B	A	JPN	
020	NUT, HEX. (8MM)		001	94001-08000-0S	A	JPN	
021	WASHER, PLAIN (8MM)		002	94101-08000	A	JPN	
022	WASHER, SPRING (8MM)		002	94111-08000	A	JPN	
023	BOLT, FLANGE (6X12)	Z	001	95700-06012-00	A	JPN	
023	BOLT, FLANGE (6X12)		001	95701-06012-00	A	JPN	

American Honda Motor Co., Inc.

Illustration: REAR BRAKE CALIPER (F 14)
MOTORCYCLE, GOLD WING, GL1000, 1978



PROGRAMS AND DATA ARE THE PROPERTY OF AMERICAN HONDA MOTOR CO., INC.

Parts List

Ref.	Part Description	M...	Qty.	Part Number	Area	Origin	Label
001	CALIPER ASSY., RR.	D	001	43200-431-671	A	JPN	
				-4005844			
001	CALIPER ASSY., RR.	D	001	43200-431-672	A	JPN	
				-4052621			
001	CALIPER ASSY., RR. (NISSHIN)	D	001	43200-431-673	A	JPN	
002	CALIPER A	X	001	43201-431-671	A	JPN	
003	CALIPER B	X	001	43202-431-671	A	JPN	
004	PISTON	X	002	43205-431-671	A	JPN	
005	COVER, DUST		002	43207-431-671	A	JPN	
006	SEAL, PISTON		002	43209-431-671	A	JPN	
007	PAD, RR. BRAKE	D	002	43211-431-671	A	JPN	
	(SEE KIT P/N--END OF BLOCK)			-4005844			
007	PAD (NISSHIN)	D	002	43211-431-672	A	JPN	
	(SEE KIT P/N--END OF BLOCK)			-4052621			
007	PAD, RR. BRAKE	D	002	43211-431-673	A	JPN	
	(SEE KIT P/N--END OF BLOCK)						
008	SPRING, PAD SETTING (NISSHIN)	X	001	43213-371-006	A	JPN	
009	SHIM A, PAD	X	001	43214-431-671	A	JPN	
010	PIN, PAD	X	002	43215-431-671	A	JPN	
011	SHIM B, PAD	X	001	43216-431-671	A	JPN	
012	SEAL, JOINT (NISSHIN)		001	43217-371-006	A	JPN	

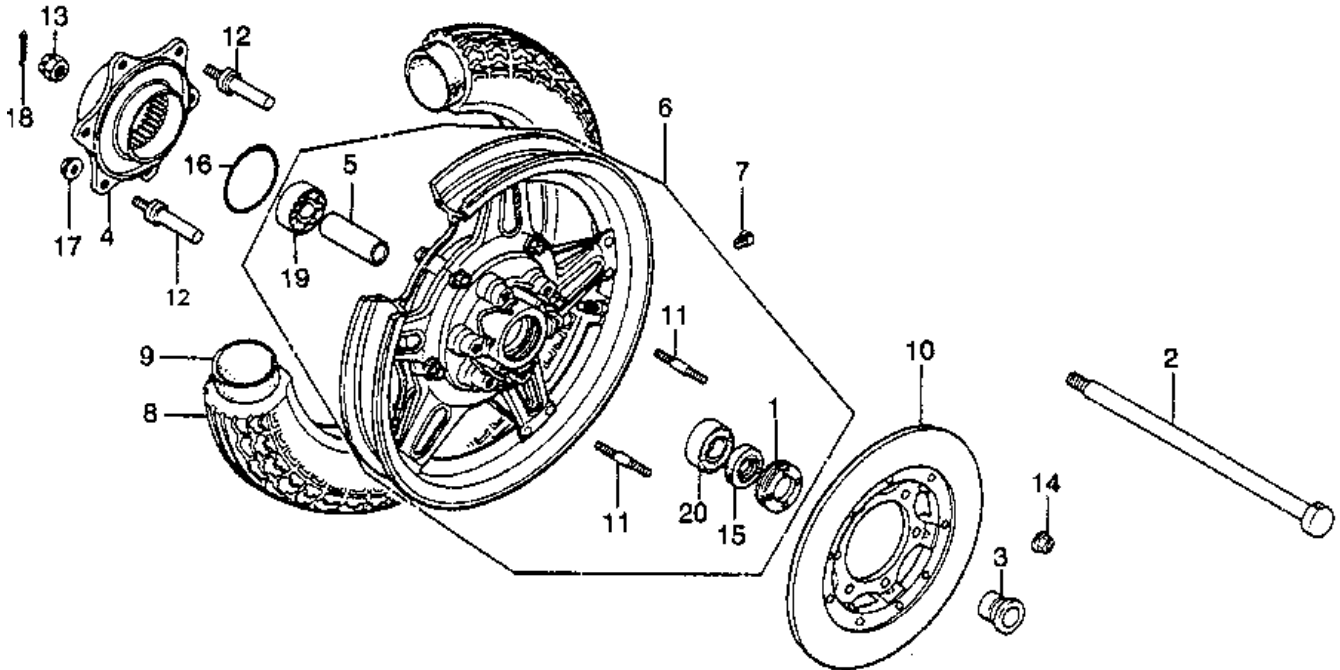
American Honda Motor Co., Inc.

Illustration: REAR BRAKE CALIPER (F 14)
MOTORCYCLE, GOLD WING, GL1000, 1978

Ref.	Part Description	M...	Qty.	Part Number	Area	Origin	Label
013	CLIP, DUST COVER		002	43218-371-006	A	JPN	
014	COVER, PAD	X	001	43241-431-671	A	JPN	
015	SCREW, BLEEDER		001	43352-568-003	A	JPN	
016	CAP, BLEEDER SCREW		001	43353-548-003	A	JPN	
017	BOLT (12X60)	X	001	90131-371-000	A	JPN	
018	BOLT, FLANGE (10X28)	Z	002	95700-10028-00	A	JPN	
018	BOLT, FLANGE (10X28)		002	95701-10028-00	A	JPN	
NI	PAD SET, BRAKE	M	001	06435-431-405	A	JPN	
NI	BRAKE PAD KIT	D	001	431A0-431-673	A	JPN	

American Honda Motor Co., Inc.

Illustration: REAR WHEEL (F 15)
MOTORCYCLE, GOLD WING, GL1000, 1978



PROGRAMS AND DATA ARE THE PROPERTY OF AMERICAN HONDA MOTOR CO., INC.

Parts List

Ref.	Part Description	M...	Qty.	Part Number	Area	Origin	Label
001	RETAINER, RR. WHEEL BEARING		001	41231-286-000	A	JPN	
002	AXLE, RR. WHEEL	X	001	42301-371-000	A	JPN	
003	COLLAR, RR. WHEEL SIDE	X	001	42311-356-000	A	JPN	
004	FLANGE, FINAL DRIVEN	S	001	42610-371-310	A	JPN	
004	FLANGE, FINAL DRIVEN	S	001	42610-371-320	A	JPN	
004	FLANGE, FINAL DRIVEN		001	42615-371-000	A	JPN	
005	COLLAR A, RR. DISTANCE	S	001	42620-431-670	A	JPN	
005	COLLAR A, RR. DISTANCE		001	42620-MB4-405	A	JPN	
006	WHEEL, RR.	S	001	42650-431-670	A	JPN	
007	WEIGHT, BALANCE (20G)		AR	42705-410-000	A	JPN	
007	WEIGHT, BALANCE (30G)		AR	42706-410-000	A	JPN	
008	TIRE, RR. (4.50H-17) (BS)	D	001	42711-393-781	A	JPN	
008	TIRE, RR. (4.50H-17) (DUNLOP)	S	001	42711-393-782	A	JPN	
008	TIRE, RR. (4.50H17) (DUNLOP)		001	42711-431-661	A	JPN	
009	TUBE, TIRE (4.50-17) (BS)	S	001	08400-37100	A	JPN	
009	TUBE, TIRE (4.50-17) (BS)	M	001	42712-371-003	A	JPN	
009	TUBE, TIRE (4.50-17) (DUNLOP)	M	001	42712-371-004	A	JPN	
009	TUBE, TIRE (120/90-17) (DUNLOP)	M	001	42712-KB7-902	A	JPN	
009	TUBE, TIRE (BS)	S	001	42712-MA0-003	A	JPN	
009	TUBE, TIRE (5.10-17) (INOUE)		001	42712-MA0-005	A	JPN	
009	TUBE, TIRE (120/90-17) (BS)	S	001	42712-MN9-003	A	JPN	
010	DISK, RR. BRAKE	X	001	43120-371-000	A	JPN	

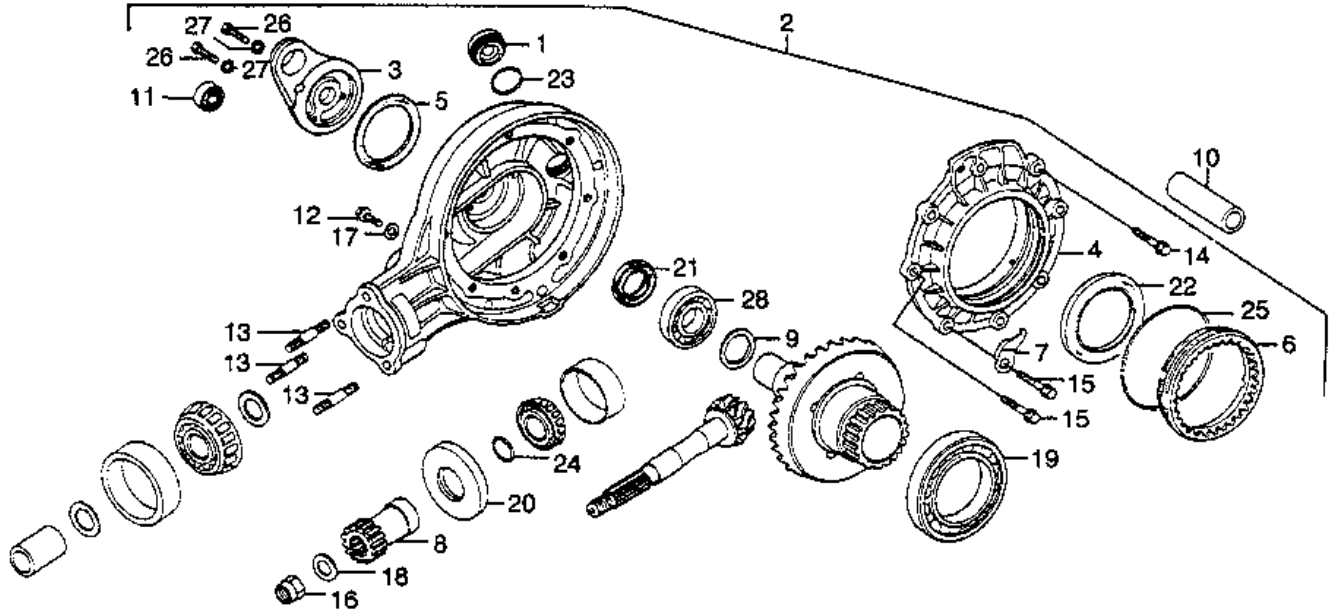
American Honda Motor Co., Inc.

Illustration: REAR WHEEL (F 15)
MOTORCYCLE, GOLD WING, GL1000, 1978

Ref.	Part Description	M...	Qty.	Part Number	Area	Origin	Label
011	BOLT, STUD (8X45)		006	90125-329-010	A	JPN	
012	BOLT, DRIVEN SPROCKET FIXING	X	006	90128-346-003	A	JPN	
013	NUT, RR. WHEEL AXLE	S	001	90306-268-000	A	JPN	
013	NUT, RR. WHEEL AXLE		001	90306-329-770	A	JPN	
014	NUT, HEX. (8MM)		006	90309-357-000	A	JPN	
015	DUST SEAL (30X45X9.5)		001	91253-286-013	A	JPN	
015	DUST SEAL (30X45X9.5)	S	001	91253-356-005	A	JPN	
016	O-RING (63X3) (ARAI)	S	001	91304-MN5-003	A	JPN	
016	O-RING (62.4X3.1)	M	001	91316-PT6-003	A	JPN	
016	O-RING (63X3.0)	S	001	91359-371-003	A	JPN	
017	NUT, FLANGE (10MM)		006	94050-10080	A	JPN	
018	PIN, COTTER (4.0X30)		001	94201-40300	A	JPN	
019	BEARING, RADIAL BALL (6204U)		001	96140-62040-10	A	JPN	
020	BEARING, RADIAL BALL (6304U)		001	96140-63040-10	A	JPN	

American Honda Motor Co., Inc.

Illustration: FINAL DRIVEN GEAR (F 16)
MOTORCYCLE, GOLD WING, GL1000, 1978



PROGRAMS AND DATA ARE THE PROPERTY OF AMERICAN HONDA MOTOR CO., INC.

Parts List

Ref.	Part Description	M...	Qty.	Part Number	Area	Origin	Label
001	CAP, VALVE ADJ.		001	12361-300-000	A	JPN	
002	GEAR ASSY., FINAL DRIVEN		001	41300-371-040	A	JPN	
003	COVER, R. GEAR CASE	W	001	41311-371-010	A	JPN	
004	COVER, L. CASE	X	001	41321-371-010	A	JPN	
005	GASKET, R. COVER	X	001	41324-371-010	A	JPN	
006	RETAINER A, BEARING	W	001	41351-371-000	A	JPN	
007	STOPPER A, BEARING RETAINER	X	001	41355-371-000	A	JPN	
008	JOINT, PINION		001	41410-371-000	A	JPN	
009	SPACER B, RING GEAR (1.80)	X	001	41501-371-010	A	JPN	
009	SPACER C, RING GEAR (1.84)	X	001	41502-371-010	A	JPN	
009	SPACER D, RING GEAR (1.88)	X	001	41503-371-010	A	JPN	
009	SPACER E, RING GEAR (1.92)	X	001	41504-371-010	A	JPN	
009	SPACER F, RING GEAR (1.96)	X	001	41505-371-010	A	JPN	
009	SPACER G, RING GEAR (2.00)	X	001	41506-371-010	A	JPN	
009	SPACER H, RING GEAR (2.04)	X	001	41507-371-010	A	JPN	
009	SPACER I, RING GEAR (2.08)	X	001	41508-371-010	A	JPN	
009	SPACER J, RING GEAR (2.12)	X	001	41509-371-010	A	JPN	
009	SPACER K, RING GEAR (2.16)	X	001	41510-371-010	A	JPN	
009	SPACER L, GEAR	X	001	41511-371-010	A	JPN	
009	SPACER M, GEAR	X	001	41512-371-010	A	JPN	
009	SPACER N, GEAR	X	001	41513-371-010	A	JPN	
009	SPACER O, GEAR	X	001	41514-371-010	A	JPN	
009	SPACER P, RING GEAR (2.36)		001	41515-371-010	A	JPN	
009	SPACER Q, RING GEAR (2.40)		001	41516-371-000	A	JPN	

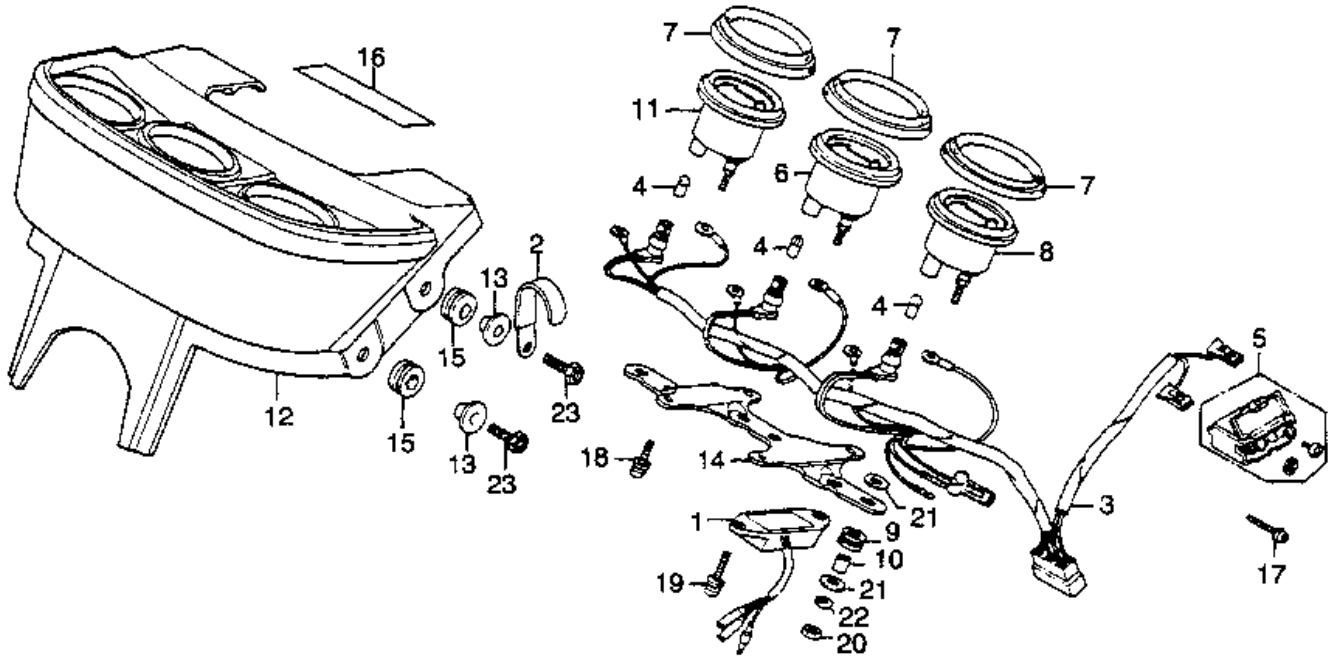
American Honda Motor Co., Inc.

Illustration: FINAL DRIVEN GEAR (F 16)
MOTORCYCLE, GOLD WING, GL1000, 1978

Ref.	Part Description	M...	Qty.	Part Number	Area	Origin	Label
009	SPACER R, RING GEAR (2.44)	X	001	41517-371-000	A	JPN	
010	COLLAR B, RR. WHEEL DISTANCE	X	001	42625-371-000	A	JPN	
011	BUSH, RR. SHOCK ABSORBER		001	52451-357-000	A	JPN	
012	BOLT, SEALING (8MM)		003	90109-371-000	A	JPN	
013	BOLT, STUD (10X45)	X	003	90125-371-000	A	JPN	
014	BOLT, FLANGE (8X32)	W	006	90133-371-000	A	JPN	
015	BOLT, FLANGE (10X38)	X	002	90134-371-000	A	JPN	
016	NUT, HEX. (16MM)	X	001	90381-371-000	A	JPN	
017	WASHER (8MM)		001	90471-580-000	A	JPN	
018	WASHER, PLAIN, 17MM		001	90401-KY4-901	A	JPN	
018	WASHER (16MM)	S	001	90581-371-000	A	JPN	
019	BEARING (6914) (TOYO SEIKO)	S	001	91051-371-003	A	JPN	
019	BEARING (6914) (KOYO SEIKO)		001	91051-371-004	A	JPN	
019	BEARING (6914) (NACHI)	S	001	91051-371-005	A	JPN	
020	OIL SEAL (32X67X8)	X	001	91261-371-013	A	JPN	
021	OIL SEAL (35X52X8)	X	001	91263-371-006	A	JPN	
022	OIL SEAL (70X90X8)		001	91265-371-003	A	JPN	
023	O-RING (30.8MM)		001	91302-001-020	A	JPN	
024	O-RING (18X3)	S	001	91306-371-003	A	JPN	
024	O-RING (17.7X2.7)		001	91306-371-013	A	JPN	
025	O-RING (96.5X2.0)		001	91355-371-003	A	JPN	
026	BOLT, HEX. (8X16)	S	003	92000-08016-0B	A	JPN	
026	BOLT, HEX. (8X16)	M	003	92101-08016-0B	A	JPN	
027	WASHER, PLAIN (8MM)		003	94101-08200	A	JPN	
028	BEARING, RADIAL BALL (6007)	W	001	96103-60070-00	A	JPN	

American Honda Motor Co., Inc.

Illustration: FUEL METER □ TEMPERATURE METER (F 17)
MOTORCYCLE, GOLD WING, GL1000, 1978



PROGRAMS AND DATA ARE THE PROPERTY OF AMERICAN HONDA MOTOR CO., INC.

Parts List

Ref.	Part Description	M...	Qty.	Part Number	Area	Origin	Label
001	REGULATOR ASSY. (7V)		001	31410-431-007	A	JPN	
002	CLIP, WIRE HARNESS	X	001	32172-315-000	A	JPN	
003	WIRE ASSY., METER	X	001	32219-431-611	A	JPN	
004	BULB, DASH (12V3.4W) (IMASEN)		003	34902-259-000	A	JPN	
005	BOX ASSY., ACCESSORY	X	001	36100-431-005	A	JPN	
006	METER ASSY., FUEL	X	001	37300-431-008	A	JPN	
007	RUBBER, METER SETTING	X	003	37305-431-670	A	JPN	
008	METER ASSY., TEMPERATURE	X	001	37400-431-008	A	JPN	
009	RUBBER, TEMPERATURE METER	X	006	37451-431-000	A	JPN	
010	COLLAR, TEMPERATURE METER	X	006	37452-431-000	A	JPN	
011	VOLTMETER ASSY.	X	001	37500-431-008	A	JPN	
012	PANEL, SUB-METER *A01* (MAT BLACK)	X	001	66840-431-670ZA	A	JPN	
013	COLLAR, PANEL MOUNT	X	004	66841-431-670	A	JPN	
014	STAY, METER MOUNT		001	66842-431-670	A	JPN	
015	RUBBER, PANEL SETTING	X	004	66843-431-670	A	JPN	
016	MARK, DRIVE CAUTION	X	001	87560-431-670	A	JPN	
017	SCREW-WASHER (5X32)		001	93891-05032-00	A	JPN	
018	SCREW-WASHER (5X12)		002	93892-05012-08	A	JPN	
018	SCREW-WASHER (5X12)	S	002	93892-05012-18	A	JPN	
019	SCREW-WASHER (5X20)		002	93892-05020-08	A	JPN	
019	SCREW-WASHER (5X20)	S	002	93892-05020-18	A	JPN	
020	NUT, HEX. (4MM)		006	94001-04080-0S	A	JPN	

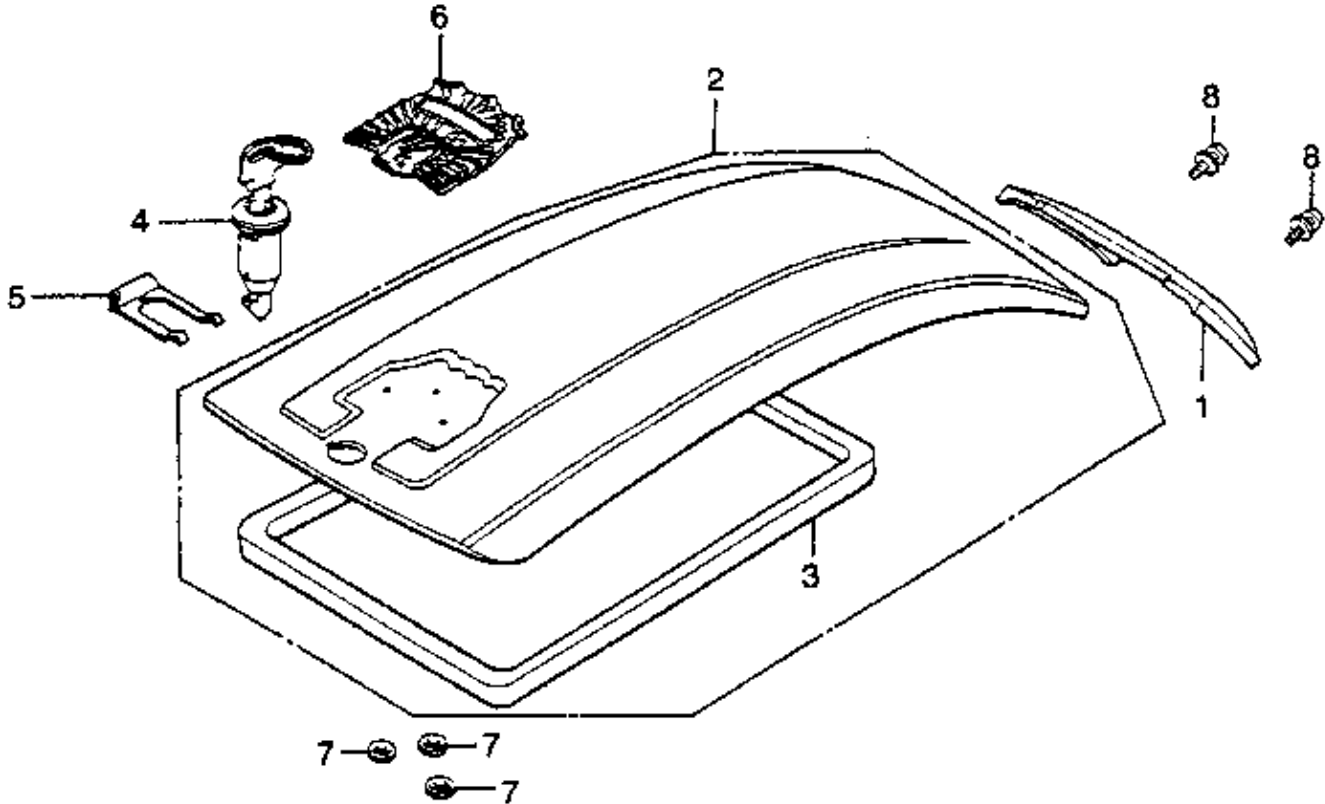
American Honda Motor Co., Inc.

Illustration: FUEL METER □ TEMPERATURE METER (F 17)
MOTORCYCLE, GOLD WING, GL1000, 1978

Ref.	Part Description	M...	Qty.	Part Number	Area	Origin	Label
021	WASHER, PLAIN (4MM)		012	94103-04800	A	JPN	
022	WASHER, SPRING (4MM)		006	94111-04000	A	JPN	
023	BOLT, FLANGE (6X20)	S	004	95700-06020-07	A	JPN	
023	BOLT, FLANGE (6X20)		004	95701-06020-07	A	JPN	

American Honda Motor Co., Inc.

Illustration: TOP SHELTER (F 18)
MOTORCYCLE, GOLD WING, GL1000, 1978



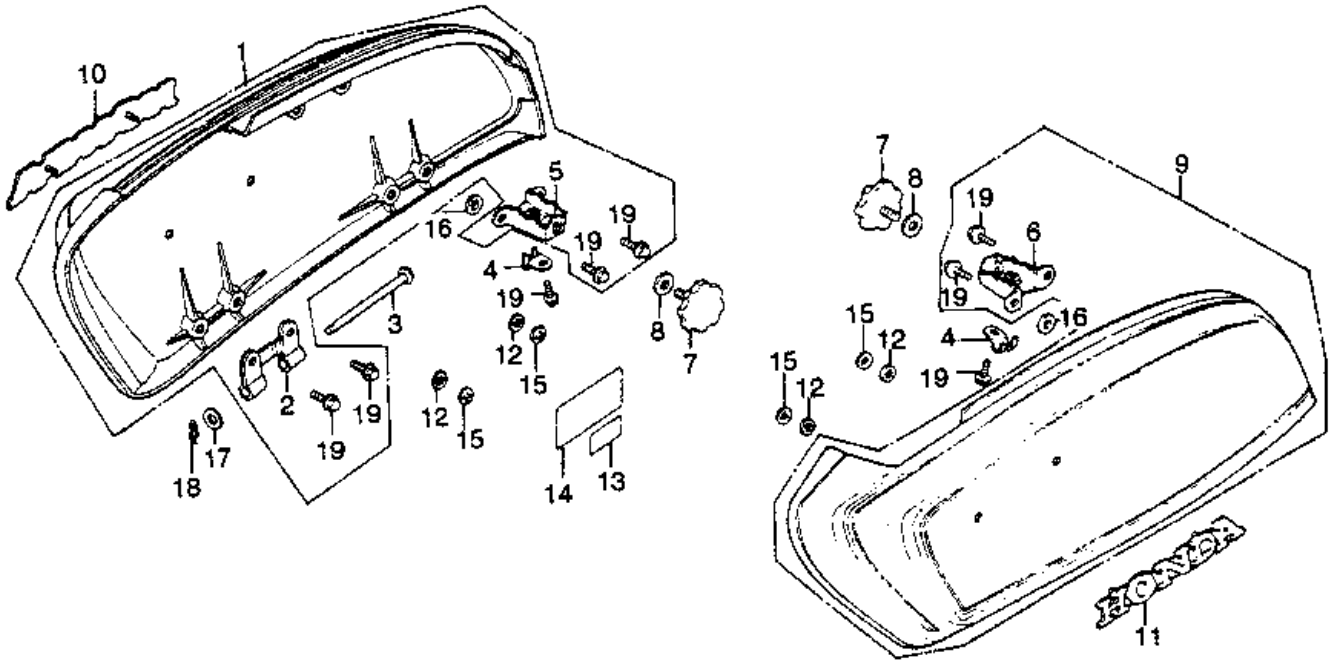
PROGRAMS AND DATA ARE THE PROPERTY OF AMERICAN HONDA MOTOR CO., INC.

Parts List

Ref.	Part Description	M...	Qty.	Part Number	Area	Origin	Label
001	COVER, RR. SHELTER *A01* (MAT BLACK)		001	50411-431-670ZA	A	JPN	
002	SHELTER, TOP	X	001	50430-431-671	A	JPN	
003	SEAL, TOOL TRAY	X	001	50432-431-670	A	JPN	
004	CYLINDER, TOP	X	001	50437-431-017	A	JPN	
005	SPRING, DOOR LOCK KEY SETTING	X	001	75581-605-004	A	JPN	
006	EMBLEM, TOP SHELTER	X	001	87123-431-671	A	JPN	
007	NUT, SPEED (3MM)		003	90313-567-000	A	JPN	
008	SCREW-WASHER (6X12)		002	93891-06012-00	A	JPN	

American Honda Motor Co., Inc.

Illustration: SIDE SHELTER (F 19)
MOTORCYCLE, GOLD WING, GL1000, 1978



PROGRAMS AND DATA ARE THE PROPERTY OF AMERICAN HONDA MOTOR CO., INC.

Parts List

Ref.	Part Description	M...	Qty.	Part Number	Area	Origin	Label
001	SHELTER, R. SIDE *R7CC* (CANDY LIMITED MAROON)		001	83101-431-670ZA	A	JPN	
001	SHELTER, R. SIDE *PB102CS* (CANDY GRANDEUR BLUE)		001	83101-431-670ZB	A	JPN	
001	SHELTER, R. SIDE *NH1* (BLACK)	X	001	83101-431-670ZC	A	JPN	
002	HINGE, SHELTER	X	004	83105-431-670	A	JPN	
003	PIN, SHELTER HINGE		004	83109-371-000	A	JPN	
004	STAY, SHELTER STOP	X	002	83119-371-000	A	JPN	
005	BRACKET, R. SHELTER	X	001	83125-431-671	A	JPN	
006	BRACKET, L. SHELTER	X	001	83126-431-671	A	JPN	
007	LATCH, SHELTER	X	002	83127-431-670	A	JPN	
008	STOPPER, SHELTER LATCH	X	002	83128-371-000	A	JPN	
009	SHELTER, L. SIDE *R7CC* (CANDY LIMITED MAROON)		001	83201-431-670ZA	A	JPN	
009	SHELTER, L. SIDE *PB102CS* (CANDY GRANDEUR BLUE)		001	83201-431-670ZB	A	JPN	
009	SHELTER, L. SIDE *NH1* (BLACK)	X	001	83201-431-670ZC	A	JPN	
010	EMBLEM, R. SIDE SHELTER	X	001	87121-431-670	A	JPN	
011	EMBLEM, L. SIDE SHELTER	X	001	87122-431-670	A	JPN	
012	RUBBER, RR. EMBLEM SETTING		004	87411-538-910	A	JPN	
013	LABEL, RESERVE TANK	X	001	87507-371-671	A	JPN	
014	MARK, RADIATOR CAUTION	X	001	87508-371-670	A	JPN	

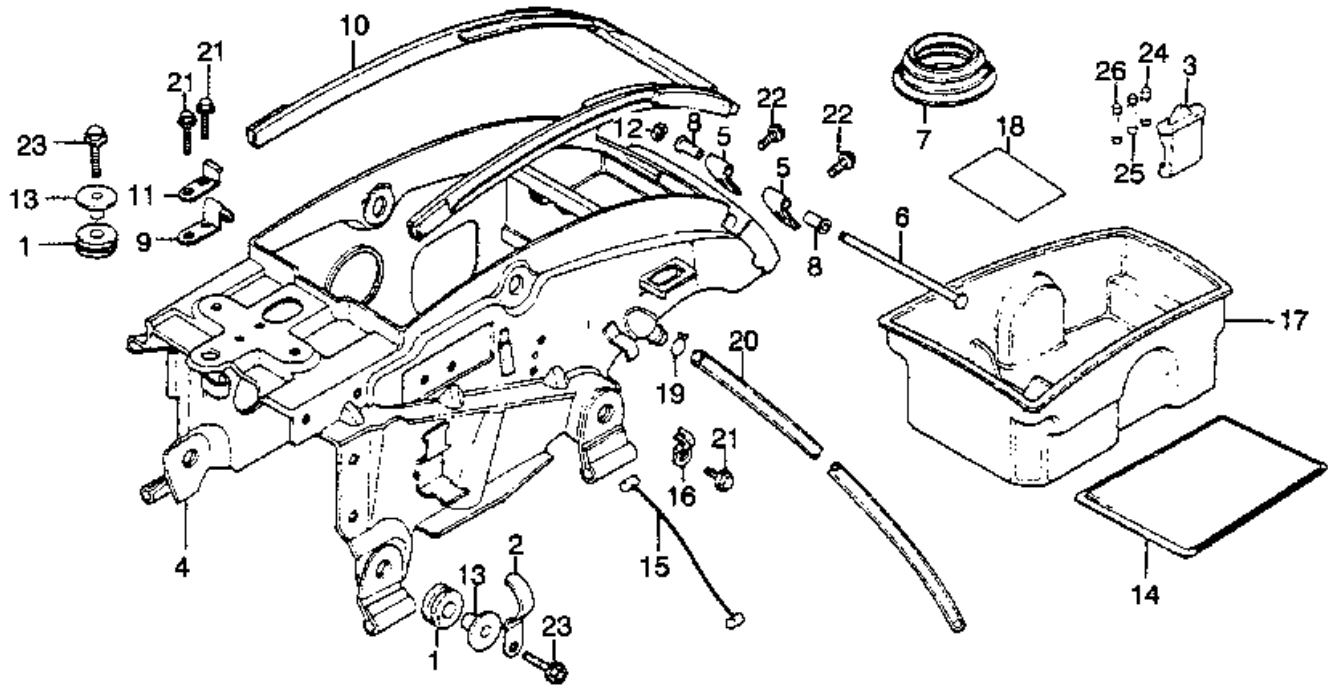
American Honda Motor Co., Inc.

Illustration: SIDE SHELTER (F 19)
MOTORCYCLE, GOLD WING, GL1000, 1978

Ref.	Part Description	M...	Qty.	Part Number	Area	Origin	Label
015	NUT, SPEED (3MM)		004	90313-567-000	A	JPN	
016	WASHER, SPECIAL (6MM)		004	90438-671-000	A	JPN	
017	WASHER, PLAIN (5MM)		004	94101-05000	A	JPN	
018	PIN, LOCK (5MM)		004	94251-05000	A	JPN	
019	BOLT, FLANGE (6X10)	Z	014	95700-06010-08	A	JPN	
019	BOLT, FLANGE (6X10)		014	95701-06010-08	A	JPN	

American Honda Motor Co., Inc.

Illustration: SHELTER FRAME (F 20)
MOTORCYCLE, GOLD WING, GL1000, 1978



PROGRAMS AND DATA ARE THE PROPERTY OF AMERICAN HONDA MOTOR CO., INC.

Parts List

Ref.	Part Description	M...	Qty.	Part Number	Area	Origin	Label
001	RUBBER, AIR CLEANER HOUSING		005	17245-107-010	A	JPN	
002	CLIP, WIRE HARNESS	X	001	32172-315-000	A	JPN	
003	CASE, FUSE	D	001	38206-431-000	A	JPN	
004	FRAME, SHELTER *NH1* (BLACK)		001	50410-431-671ZA	A	JPN	
005	HINGE, TOP SHELTER		002	50414-431-671	A	JPN	
006	PIN, TOP SHELTER	X	001	50418-431-670	A	JPN	
007	RUBBER, FUEL TRAY	X	005	50423-431-670	A	JPN	
008	BUSH, TOP HINGE	X	002	50424-431-670	A	JPN	
009	PLATE, TOP SHELTER LOCK	X	001	50427-431-670	A	JPN	
010	WEATHERSTRIP, SHELTER	X	001	50428-431-670	A	JPN	
011	PLATE, STOPPER	X	001	50429-431-671	A	JPN	
012	CLIP, LOCK PIN	X	001	54114-609-000	A	JPN	
013	COLLAR, FR. FENDER	S	005	61104-357-000	A	JPN	
013	COLLAR, FR. FENDER		005	61104-428-000	A	JPN	
013	COLLAR, RR. FENDER		005	61105-428-000	A	JPN	
014	BAG, SERVICE BOOK		001	77251-342-000	A	JPN	
015	STOPPER, SHELTER	X	002	83118-431-670	A	JPN	
016	STAY, SHELTER STOP	X	002	83119-371-000	A	JPN	
017	TRAY, TOOL	X	001	83501-431-671	A	JPN	
018	LABEL, ACCESSORIES & LOADING	X	001	87512-371-670	A	JPN	
019	CLIP, TUBE (B12.5)		001	95002-02130	A	JPN	

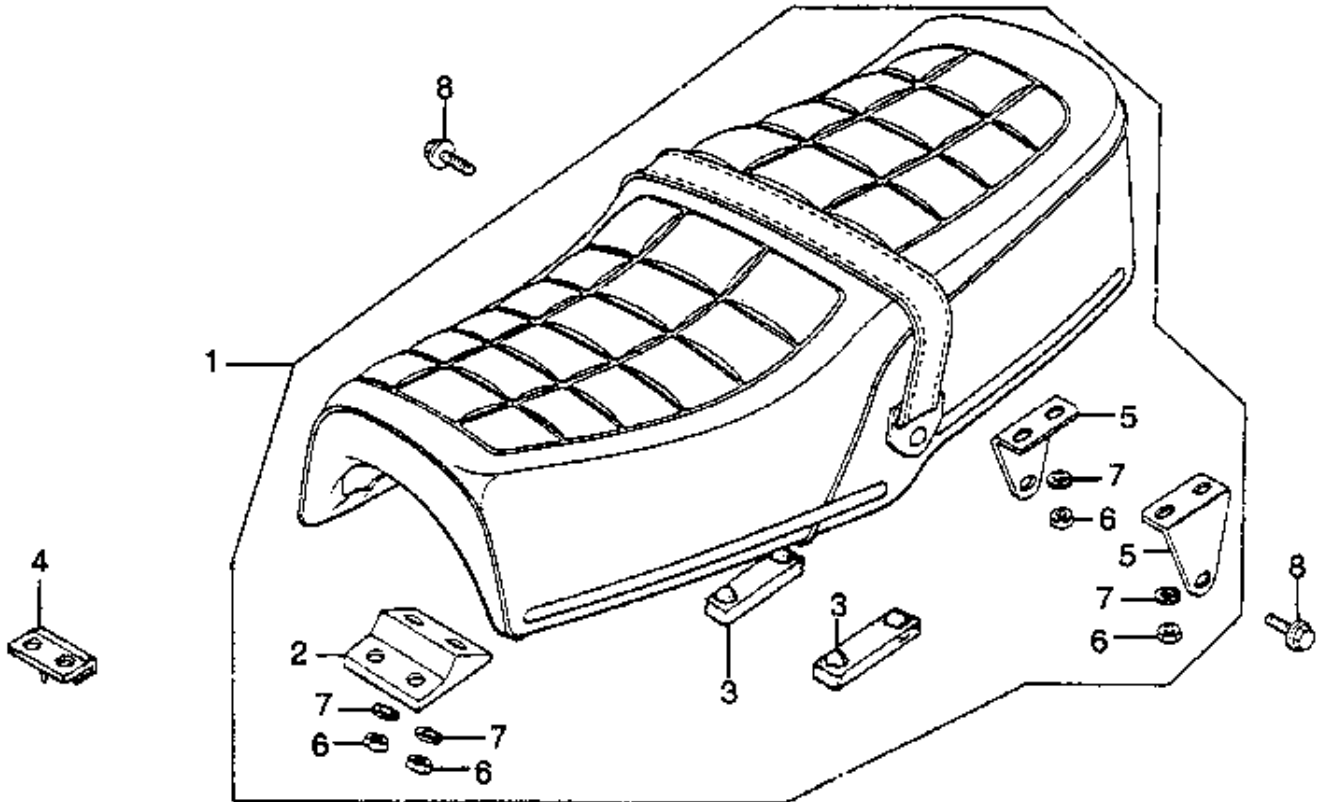
American Honda Motor Co., Inc.

Illustration: SHELTER FRAME (F 20)
MOTORCYCLE, GOLD WING, GL1000, 1978

Ref.	Part Description	M...	Qty.	Part Number	Area	Origin	Label
020	TUBE, VINYL (9X13X820)	X	001	95003-27082-30	A	JPN	
021	BOLT, FLANGE (6X10)	Z	004	95700-06010-08	A	JPN	
021	BOLT, FLANGE (6X10)		004	95701-06010-08	A	JPN	
022	BOLT, FLANGE (6X10)	S	001	95700-06010-07	A	JPN	
				4002973-			
022	BOLT, FLANGE (6X12)	S	002	95700-06012-07	A	JPN	
				-4002972			
022	BOLT, FLANGE (6X10)		001	95701-06010-07	A	JPN	
				4002973-			
022	BOLT, FLANGE (6X12)	M	002	95701-06012-07	A	JPN	
				-4002972			
023	BOLT, FLANGE (6X22)	S	005	95700-06022-08	A	JPN	
023	BOLT, FLANGE (6X22)		005	95701-06022-08	A	JPN	
024	FUSE B (5A)		001	98200-20500	A	JPN	
025	FUSE B (10A)		001	98200-21000	A	JPN	
026	FUSE B (15A)		001	98200-21500	A	JPN	
NI	RUBBER, SHELTER STOPPER	X	002	66844-431-670	A	JPN	

American Honda Motor Co., Inc.

Illustration: SEAT (F 21)
MOTORCYCLE, GOLD WING, GL1000, 1978



PROGRAMS AND DATA ARE THE PROPERTY OF AMERICAN HONDA MOTOR CO., INC.

Parts List

Ref.	Part Description	M...	Qty.	Part Number	Area	Origin	Label
001	SEAT, DOUBLE	X	001	77200-431-670	A	JPN	
002	STAY, FR.	X	001	77203-371-305	A	JPN	
003	RUBBER B, SEAT SETTING		002	77205-286-000	A	JPN	
004	RUBBER, SEAT MOUNT	X	001	77207-371-000	A	JPN	
005	STAY, RR.	X	002	77207-371-305	A	JPN	
006	NUT, HEX. (6MM)	S	006	90310-KA3-711	A	JPN	
006	NUT, HEX. (6MM)	S	006	94000-06000-0S	A	JPN	
006	NUT, HEX. (6MM)	S	006	94001-06000	A	JPN	
006	NUT, HEX. (6MM)	M	006	94001-06000-0S	A	JPN	
006	NUT, HEX. (6MM)	S	006	94001-06008-0S	A	JPN	
006	NUT, HEX. (6MM)	M	006	94001-06200-0S	A	JPN	
006	NUT, HEX. (6MM)	S	006	94030-06000	A	JPN	
007	WASHER, SPRING (6MM)		006	94111-06000	A	JPN	
008	BOLT, FLANGE (8X16)	Z	002	95700-08016-00	A	JPN	
008	BOLT, FLANGE (8X16)		002	95701-08016-00	A	JPN	

